

INSTRUMENT CURRENT TRANSFORMER

7.45" x 3.75" Rectangular Window
Width 1.13"



- Application - Metering
- AC capability 400 - 6000 Amperes
- Frequency Range: 50-400Hz
- Rating Factor: 1.0 at 55C
- A Style - Terminals are screws No. 10-32 with one flatwasher, lockwasher and nut
- B Style - Terminals are stud NO. 10-32 with one flatwasher, lockwasher and nut.
- Approximate Weight: 4 lbs
- UL and cUL Certified per ANSI/IEEE C57.13 standard

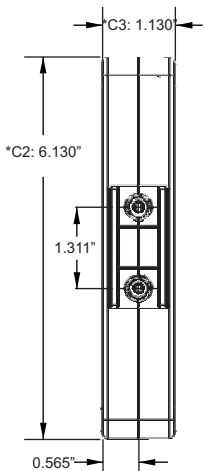


ELECTRICAL SPECIFICATIONS

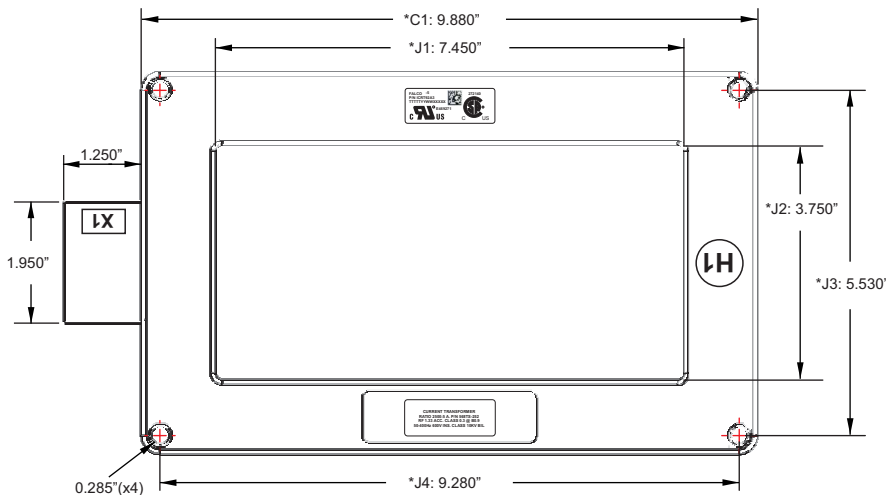
| CATALOG NUMBER | CURRENT RATIO (A) | ANSI METERING CLASS AT 60HZ | | | | | SECONDARY WINDING RESISTANCE(OHMS @75C) | CURRENT RATING FACTOR @30C |
|----------------|-------------------|-----------------------------|------|------|------|------|---|----------------------------|
| | | B0.1 | B0.2 | B0.5 | B0.9 | B1.8 | | |
| ICRT9*401 | 400:5 | 1.2 | 1.2 | 2.4 | | | 0.08 | 1.33 |
| ICRT9*501 | 500:5 | 0.6 | 1.2 | 2.4 | | | 0.10 | 1.33 |
| ICRT9*601 | 600:5 | 0.6 | 0.6 | 1.2 | 2.4 | 2.4 | 0.12 | 1.33 |
| ICRT9*751 | 750:5 | 0.6 | 0.6 | 1.2 | 1.2 | 2.4 | 0.14 | 1.33 |
| ICRT9*801 | 800:5 | 0.6 | 0.6 | 1.2 | 1.2 | 2.4 | 0.15 | 1.33 |
| ICRT9*102 | 1000:5 | 0.3 | 0.3 | 0.6 | 1.2 | 1.2 | 0.19 | 1.33 |
| ICRT9*122 | 1200:5 | 0.3 | 0.3 | 0.6 | 0.6 | 1.2 | 0.23 | 1.33 |
| ICRT9*152 | 1500:5 | 0.3 | 0.3 | 0.3 | 0.6 | 0.6 | 0.29 | 1.33 |
| ICRT9*162 | 1600:5 | 0.3 | 0.3 | 0.3 | 0.6 | 0.6 | 0.31 | 1.33 |
| ICRT9*202 | 2000:5 | 0.3 | 0.3 | 0.3 | 0.6 | 0.6 | 0.39 | 1.33 |
| ICRT9*252 | 2500:5 | 0.3 | 0.3 | 0.3 | 0.3 | 0.6 | 0.43 | 1.33 |
| ICRT9*302 | 3000:5 | 0.3 | 0.3 | 0.3 | 0.3 | 0.6 | 0.64 | 1.33 |
| ICRT9*322 | 3200:5 | 0.3 | 0.3 | 0.3 | 0.3 | 0.6 | 0.55 | 1.33 |
| ICRT9*402 | 4000:5 | 0.3 | 0.3 | 0.3 | 0.3 | 0.3 | 0.85 | 1.33 |
| ICRT9*502 | 5000:5 | 0.3 | 0.3 | 0.3 | 0.3 | 0.3 | 0.93 | 1.33 |

MECHANICAL SPECIFICATIONS

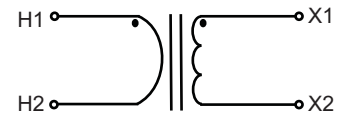
LEFT VIEW



FRONT VIEW

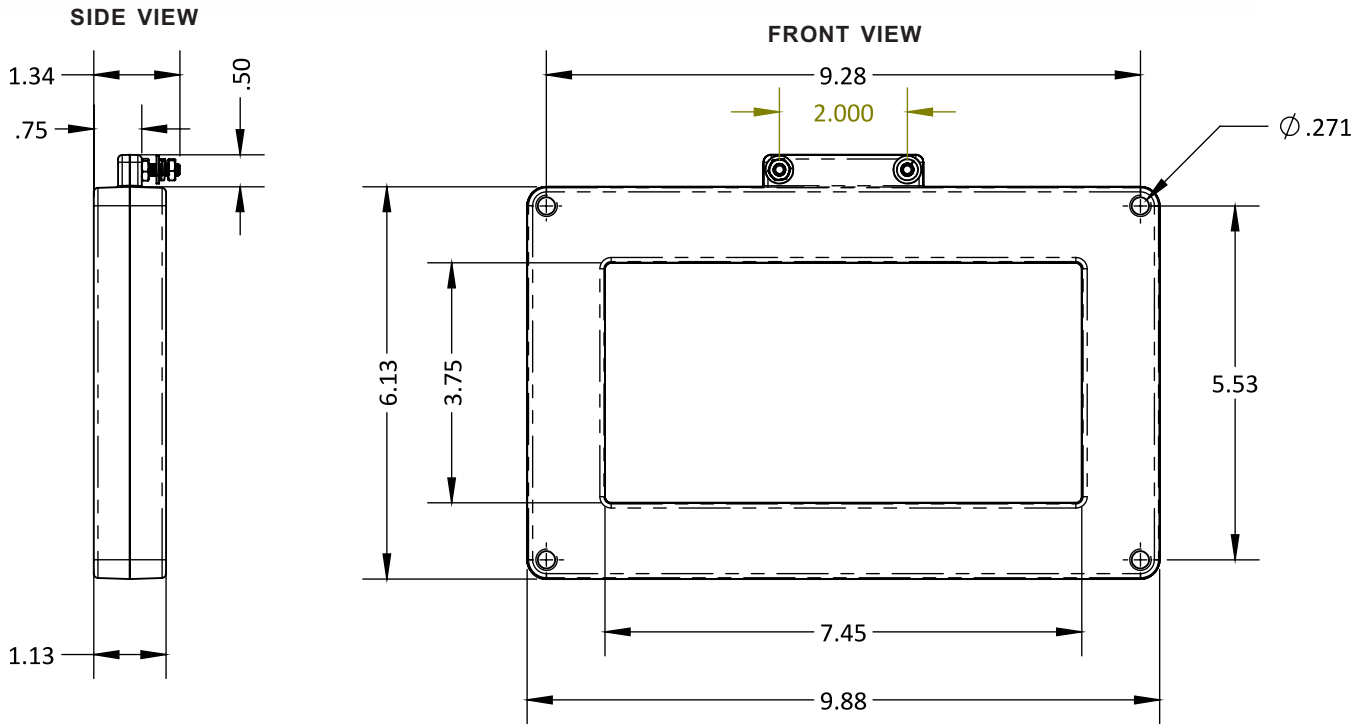


SCHEMATIC

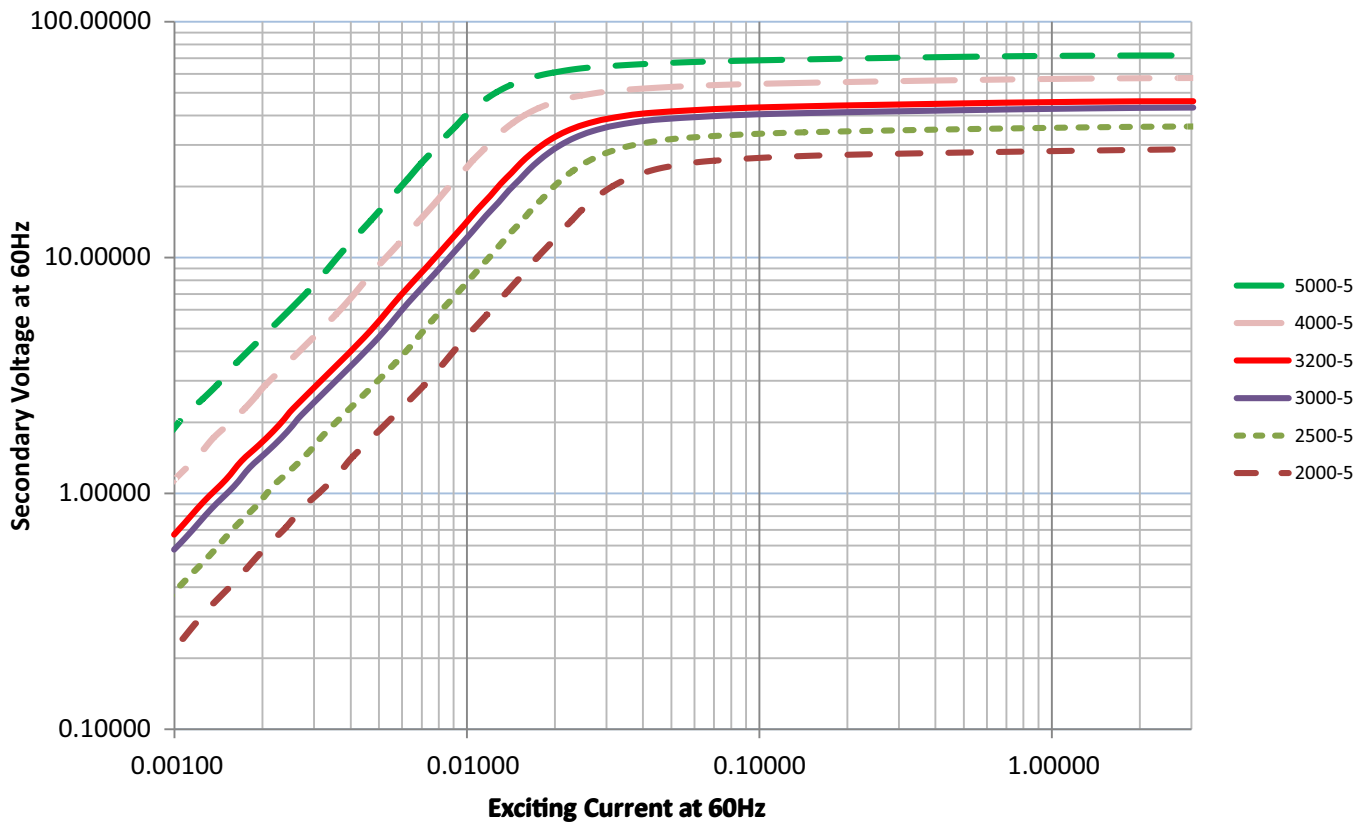


9.5" x 3.75" Rectangular Window
Width 1.13"

B-STYLE MECHANICAL DRAWING



Typical Excitation Curves



9.5" x 3.75" Rectangular Window
Width 1.13"

Typical Excitation Curves

