

INSTRUMENT CURRENT TRANSFORMER

5.75" Internal Diameter
Width 3.00"



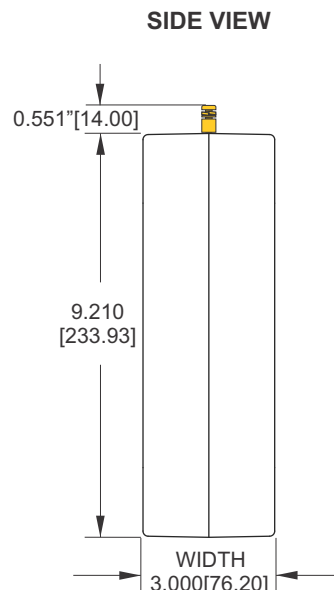
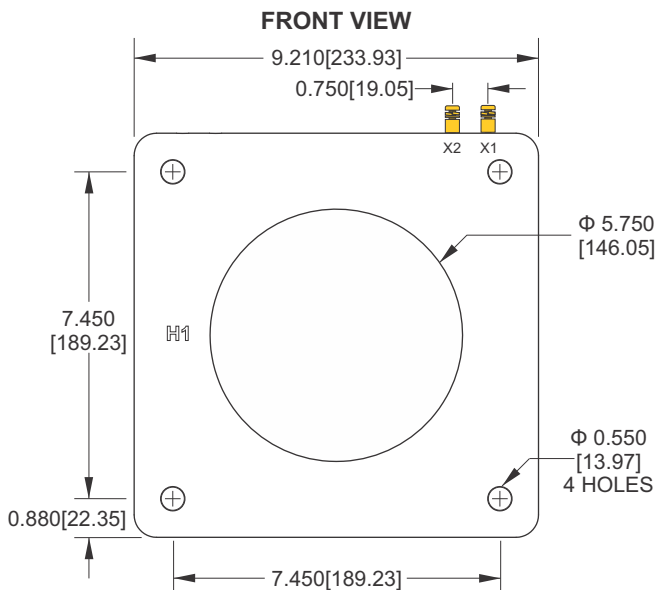
- Application - Switchgear Relay and Metering
- Frequency 50 - 400hz
- AC capability 50 - 5000 Amperes
- Insulation Class 0.6kV, 10kV BIL full wave
- Other ratios available
- Secondary terminals are brass screws No. 10-32 with one flatwasher & lockwasher.
- Approximate weight 17 lbs
- UL and cUL Certified per ANSI/IEEE C57.13 standard



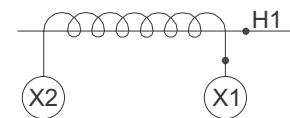
ELECTRICAL SPECIFICATIONS

CATALOG NUMBER	CURRENT RATIO (A)	RELAY CLASS	ANSI METERING CLASS AT 60HZ					SECONDARY WINDING RESISTANCE(OHMS @75C)	CURRENT RATING FACTOR @30C	CURRENT RATING FACTOR @55C
			B0.1	B0.2	B0.5	B0.9	B1.8			
ICT82014	50:5		4.8					0.02	2.0	2.0
ICT82011	75:5		2.4	4.8				0.03	2.0	2.0
ICT82012	100:5		1.2	2.4	4.8			0.03	2.0	2.0
ICT82013	150:5	C10	0.6	1.2	2.4	4.8		0.05	2.0	2.0
ICT82010	200:5	C10	0.6	0.6	1.2	2.4	4.8	0.06	2.0	2.0
ICT82015	250:5	C20	0.6	0.6	1.2	2.4	2.4	0.10	2.0	2.0
ICT82016	300:5	C20	0.3	0.3	0.6	1.2	2.4	0.10	2.0	2.0
ICT82009	400:5	C20	0.3	0.3	0.3	0.6	1.2	0.13	2.0	2.0
ICT82017	500:5	C50	0.3	0.3	0.3	0.3	0.6	0.15	2.0	2.0
ICT82018	600:5	C50	0.3	0.3	0.3	0.3	0.6	0.18	2.0	2.0
ICT82019	800:5	C50	0.3	0.3	0.3	0.3	0.6	0.32	2.0	1.5
ICT82020	1000:5	C100	0.3	0.3	0.3	0.3	0.3	0.40	1.5	1.33
ICT82006	1200:5	C100	0.3	0.3	0.3	0.3	0.3	0.48	1.5	1.33
ICT82021	1500:5	C100	0.3	0.3	0.3	0.3	0.3	0.69	1.5	1.0
ICT82007	1600:5	C100	0.3	0.3	0.3	0.3	0.3	0.64	1.5	1.0
ICT82008	2000:5	C100	0.3	0.3	0.3	0.3	0.3	1.02	1.33	1.0
ICT82022	2500:5	C200	0.3	0.3	0.3	0.3	0.3	1.32	1.0	0.80
ICT82004	3000:5	C200	0.3	0.3	0.3	0.3	0.3	1.35	1.0	0.80
ICT82003	3200:5	C200	0.3	0.3	0.3	0.3	0.3	0.77	1.0	0.80
ICT82001	4000:5	C200	0.3	0.3	0.3	0.3	0.3	1.54	1.0	0.60
ICT82002	5000:5	C200	0.3	0.3	0.3	0.3	0.3	1.39	1.0	0.60

MECHANICAL SPECIFICATIONS

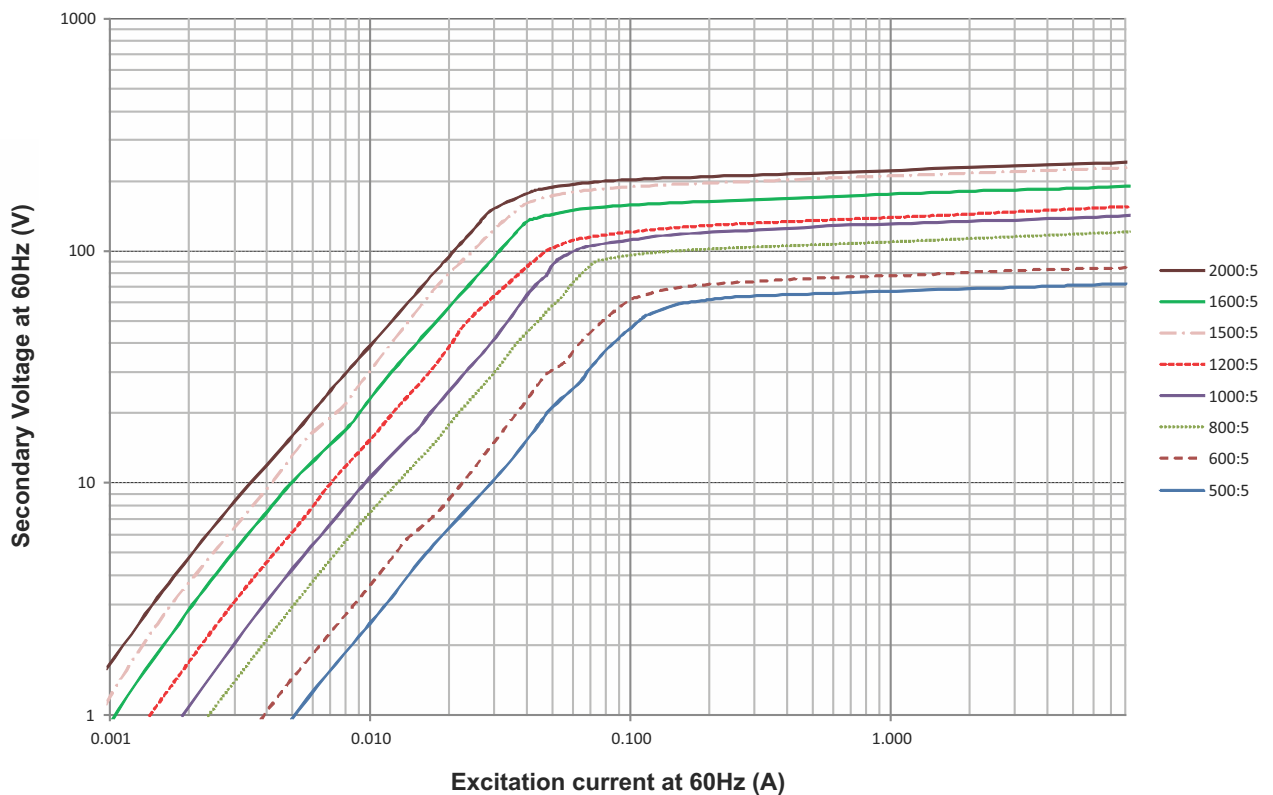
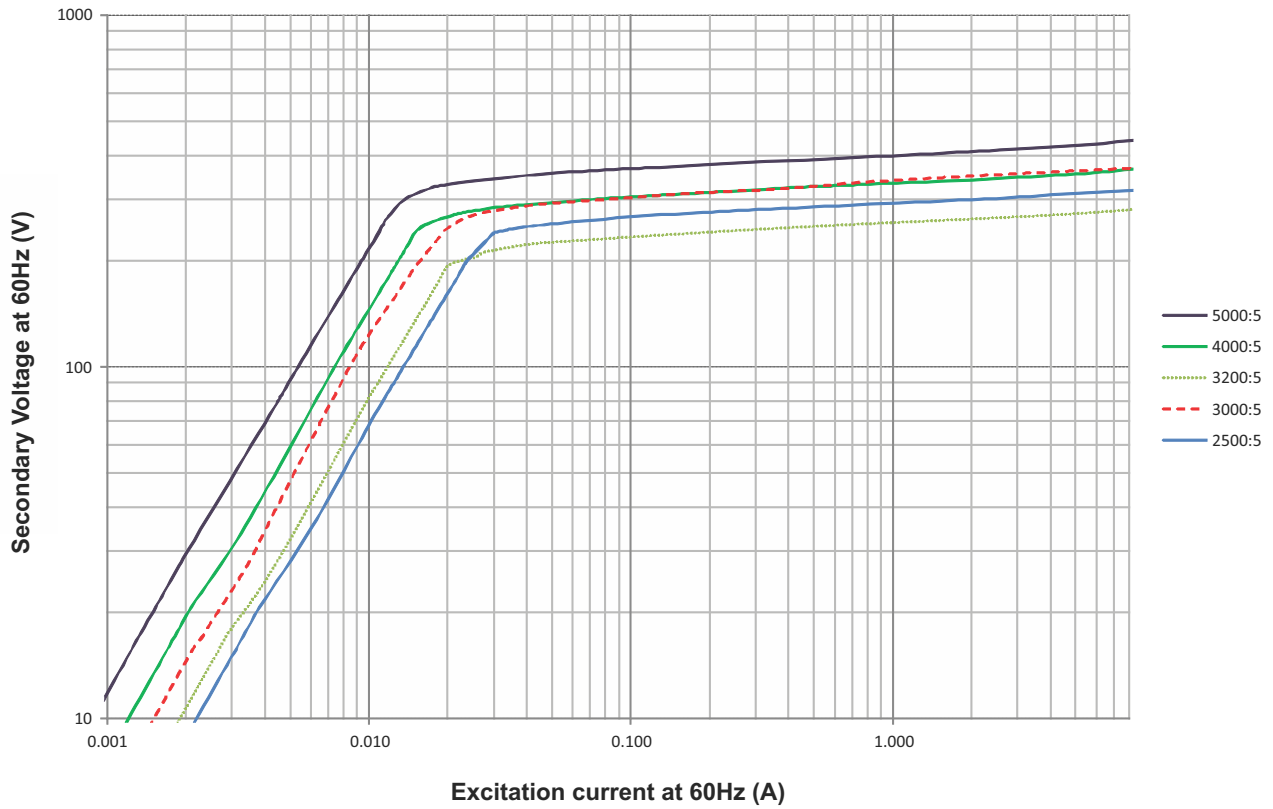


CONNECTION DIAGRAM



DIMENSIONS IN INCHES[MM]

Typical Excitation Curves



Typical Excitation Curves

