

INSTRUMENT CURRENT TRANSFORMER



6.50" Internal Diameter, Multi-Ratio
Width 5.0"



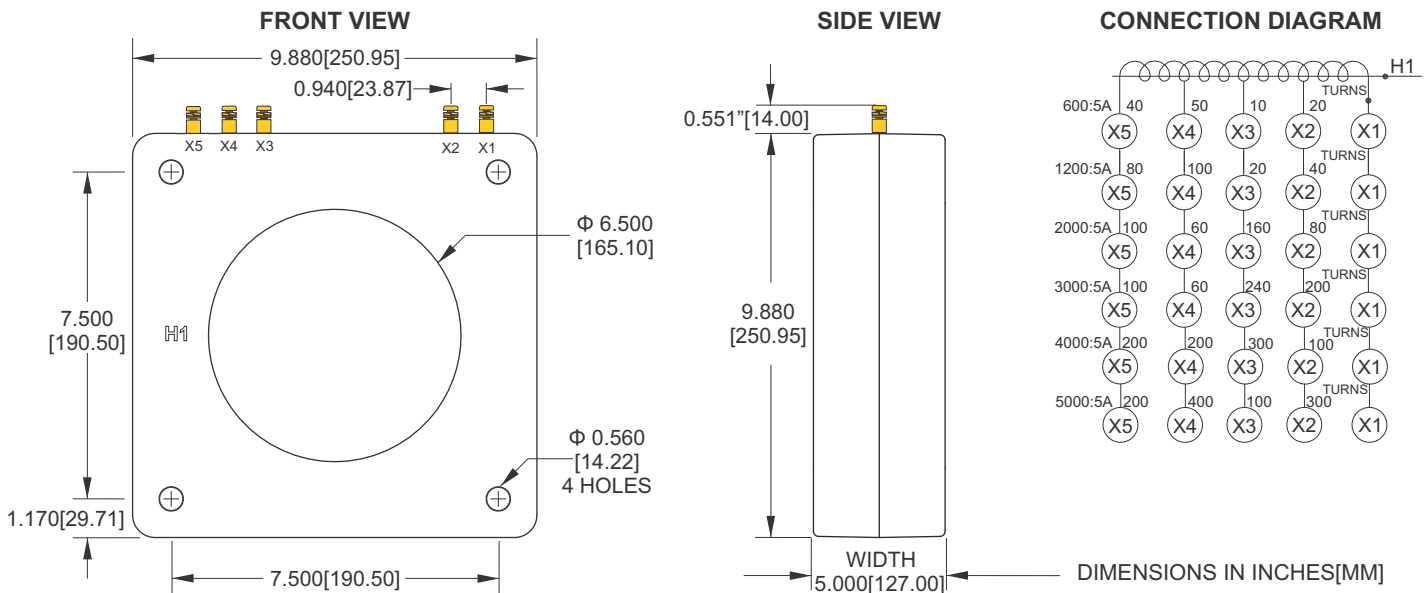
- Application - Relay and Metering
- Frequency 50 - 400hz
- AC capability 600 - 4000 Amperes
- Insulation Class 0.6kV, 10kV BIL full wave
- Other ratios available upon request
- Secondary terminals are brass screws No. 10-32 with one flatwasher & lockwasher.
- Approximate weight 35 lbs
- UL and cUL Certified per ANSI/IEEE C57.13 standard



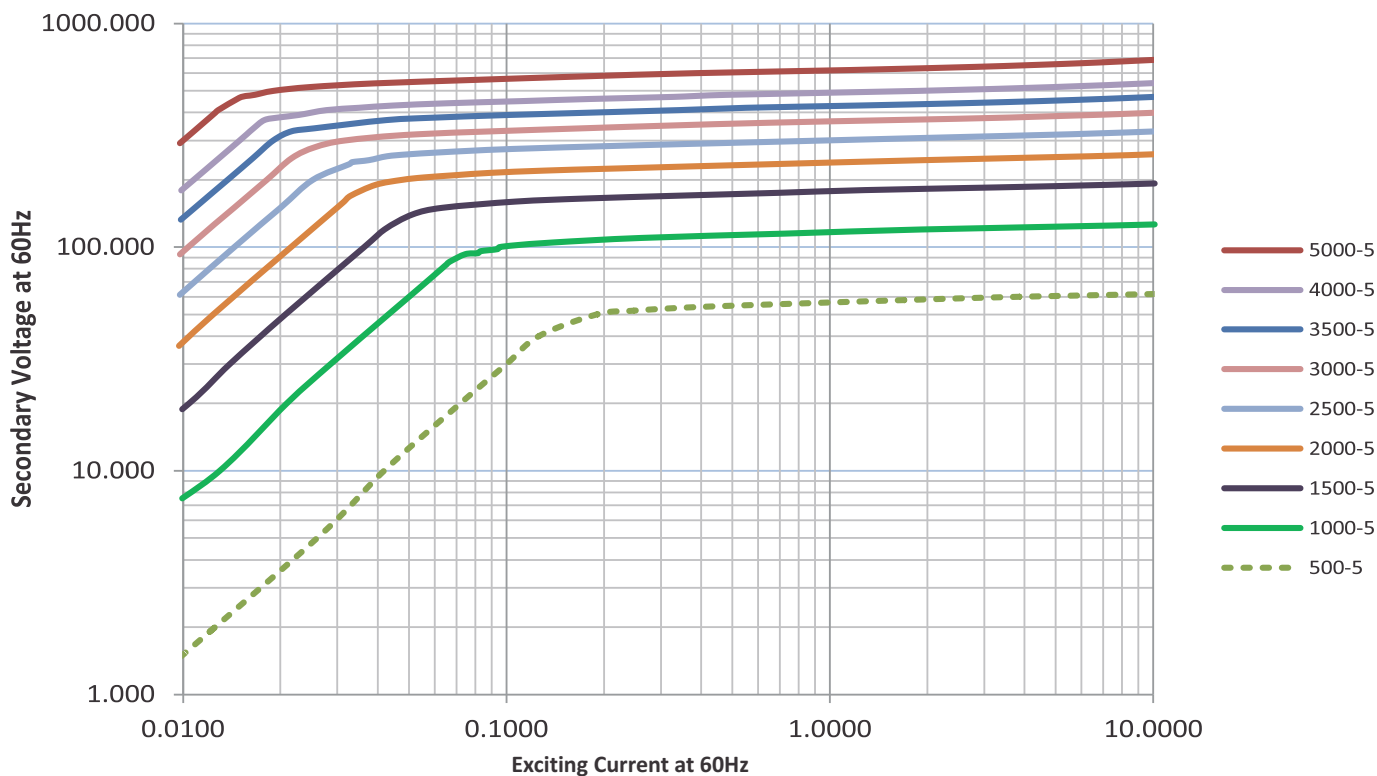
ELECTRICAL SPECIFICATIONS

CATALOG NUMBER	CURRENT RATIO (A)	RELAY CLASS	ANSI METERING CLASS AT 60HZ					SECONDARY WINDING RESISTANCE(OHMS @75C)	CURRENT RATING FACTOR @30C
			B0.1	B0.2	B0.5	B0.9	B1.8		
	600:5	C100	0.3	0.3	0.3	0.3	0.6	0.52	2.0
ICT87A01	1200:5	C200	0.3	0.3	0.3	0.3	0.3	0.96	1.5
ICT87A07	2000:5	C200	0.3	0.3	0.3	0.3	0.3	1.13	1.5
ICT87A08	3000:5	C400	0.3	0.3	0.3	0.3	0.3	1.40	1.33
ICT87A04	4000:5	C200	0.3	0.3	0.3	0.3	0.3	1.91	1.0
ICT87A05	5000:5	C400	0.3	0.3	0.3	0.3	0.3	2.45	1.0

MECHANICAL SPECIFICATIONS

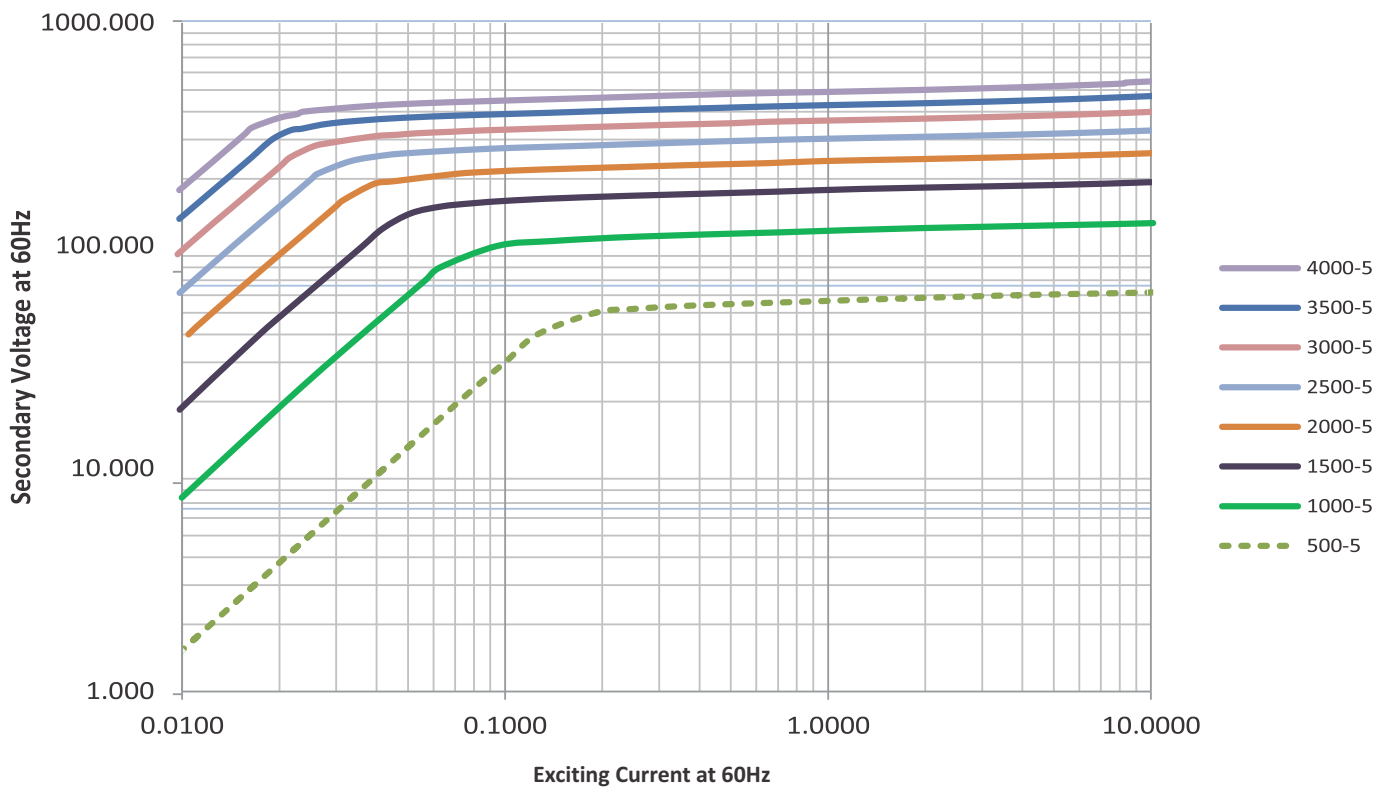


Typical Excitation Curves



Typical Excitation Curves

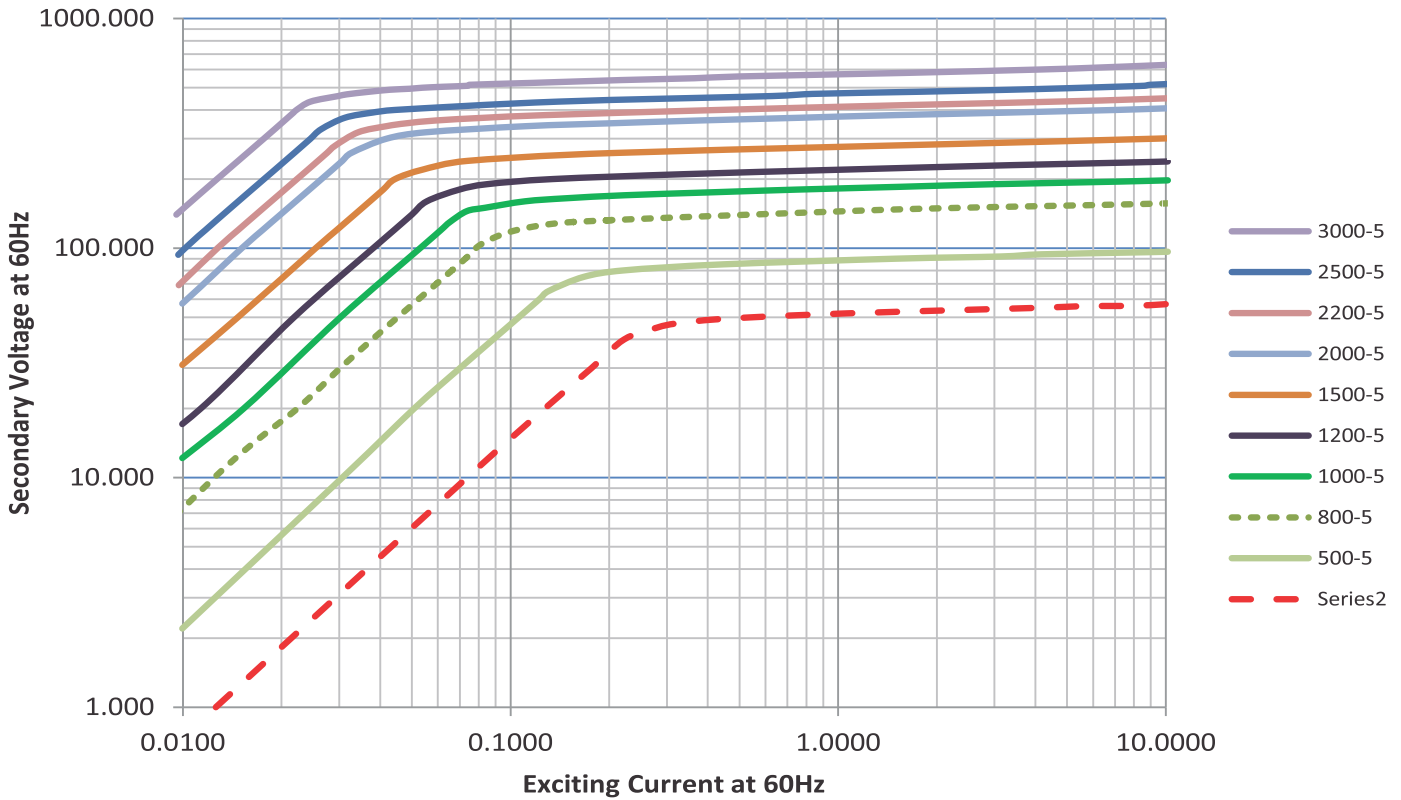
, Multi-Ratio



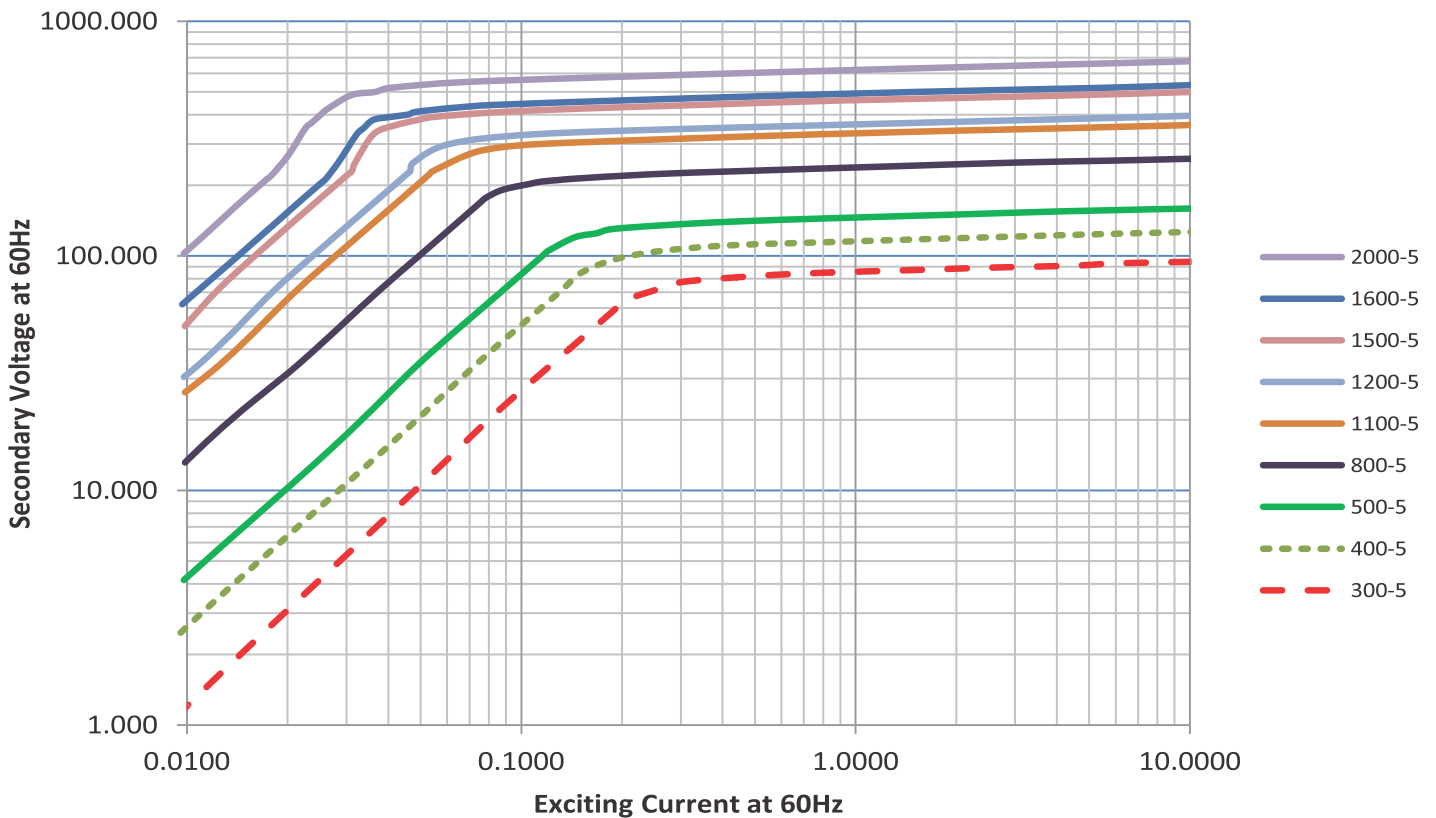
6.50" Internal Diameter, Multi-Ratio
Width 5.0"



Typical Excitation Curves



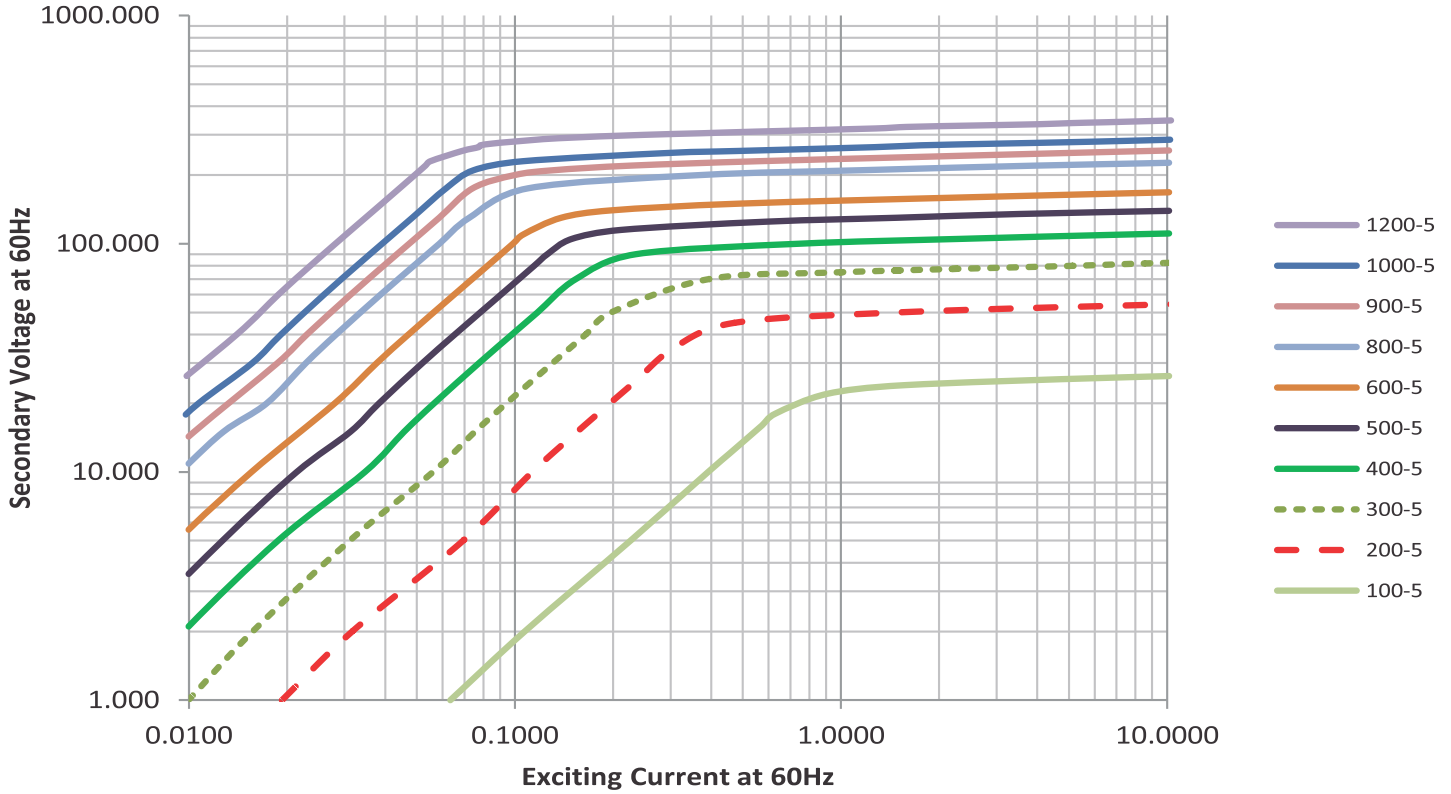
Typical Excitation Curves



6.50" Internal Diameter, Multi-Ratio
Width 5.0"



Typical Excitation Curves



Typical Excitation Curves

