

# INSTRUMENT CURRENT TRANSFORMER

5.50" Internal Diameter

Width 5.00"



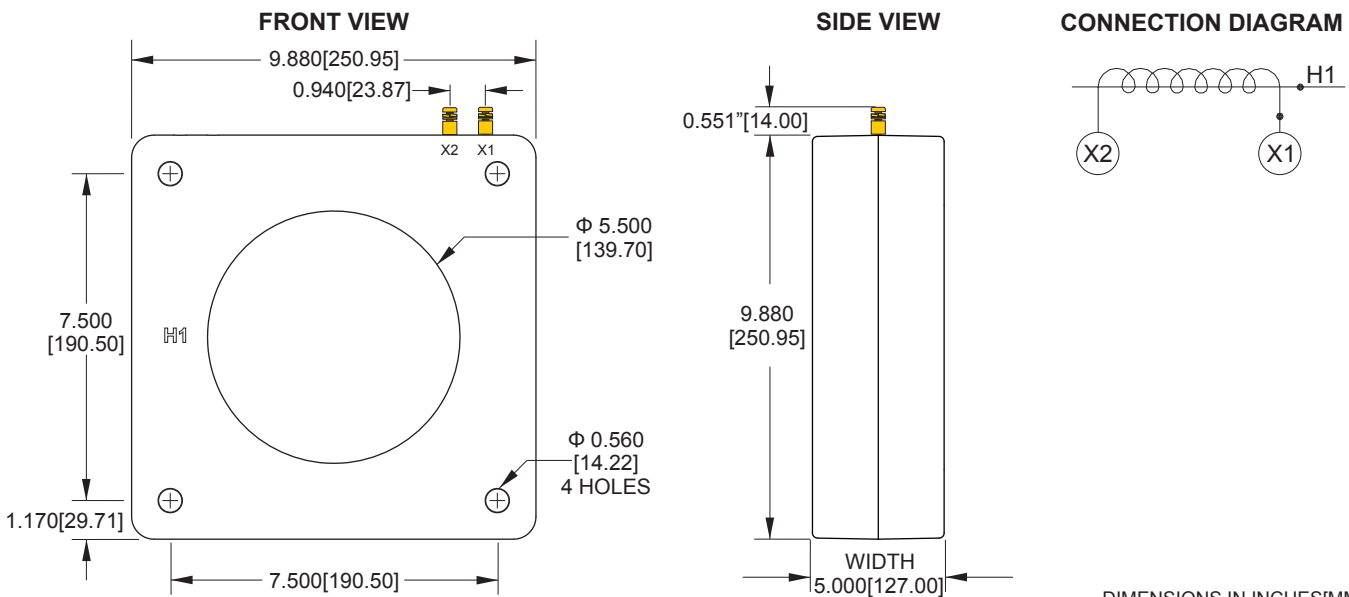
- Application - Switchgear Relay and Metering
- Frequency 50 - 400hz
- AC capability 50 - 4000 Amperes
- Insulation Class 0.6kV, 10kV BIL full wave
- Other ratios available upon request
- Secondary terminals are brass screws No. 10-32 with one flatwasher & lockwasher.
- Approximate weight 44 lbs
- UL and cUL Certified per ANSI/IEEE C57.13 standard



## ELECTRICAL SPECIFICATIONS

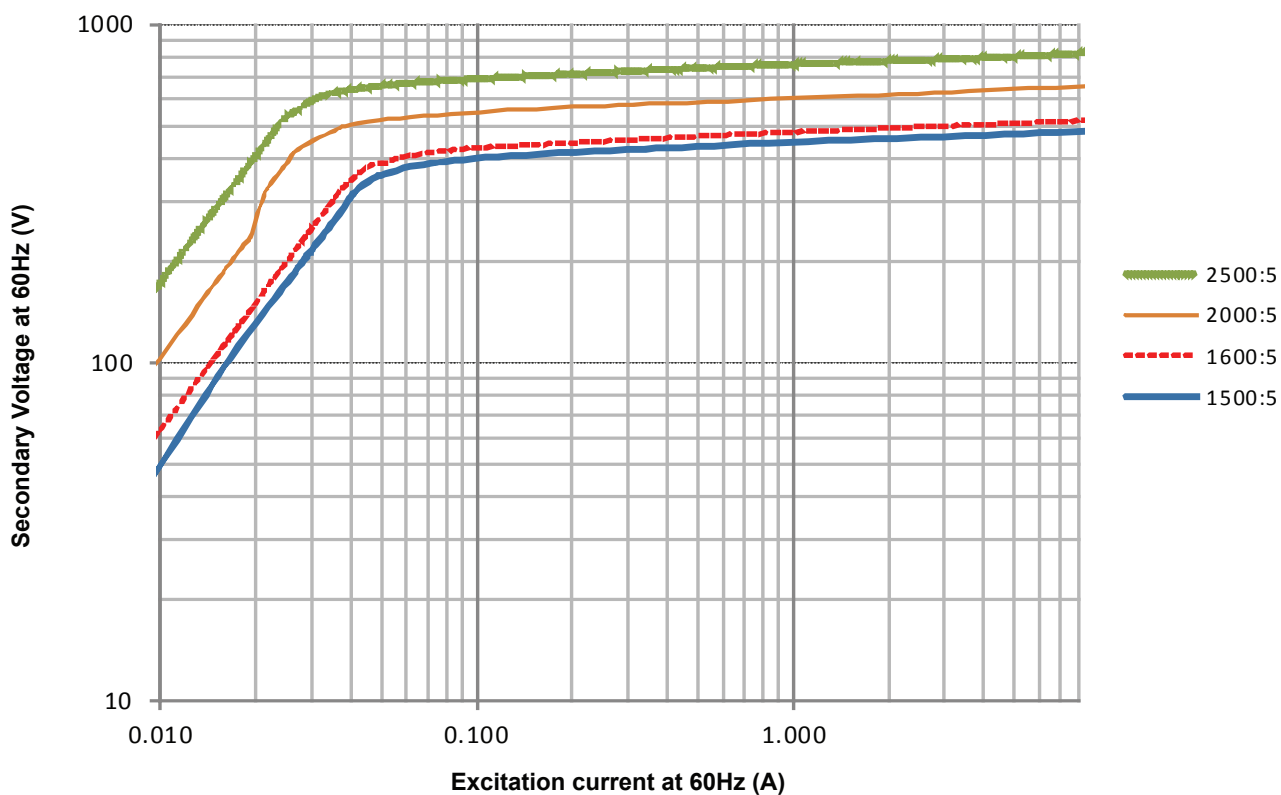
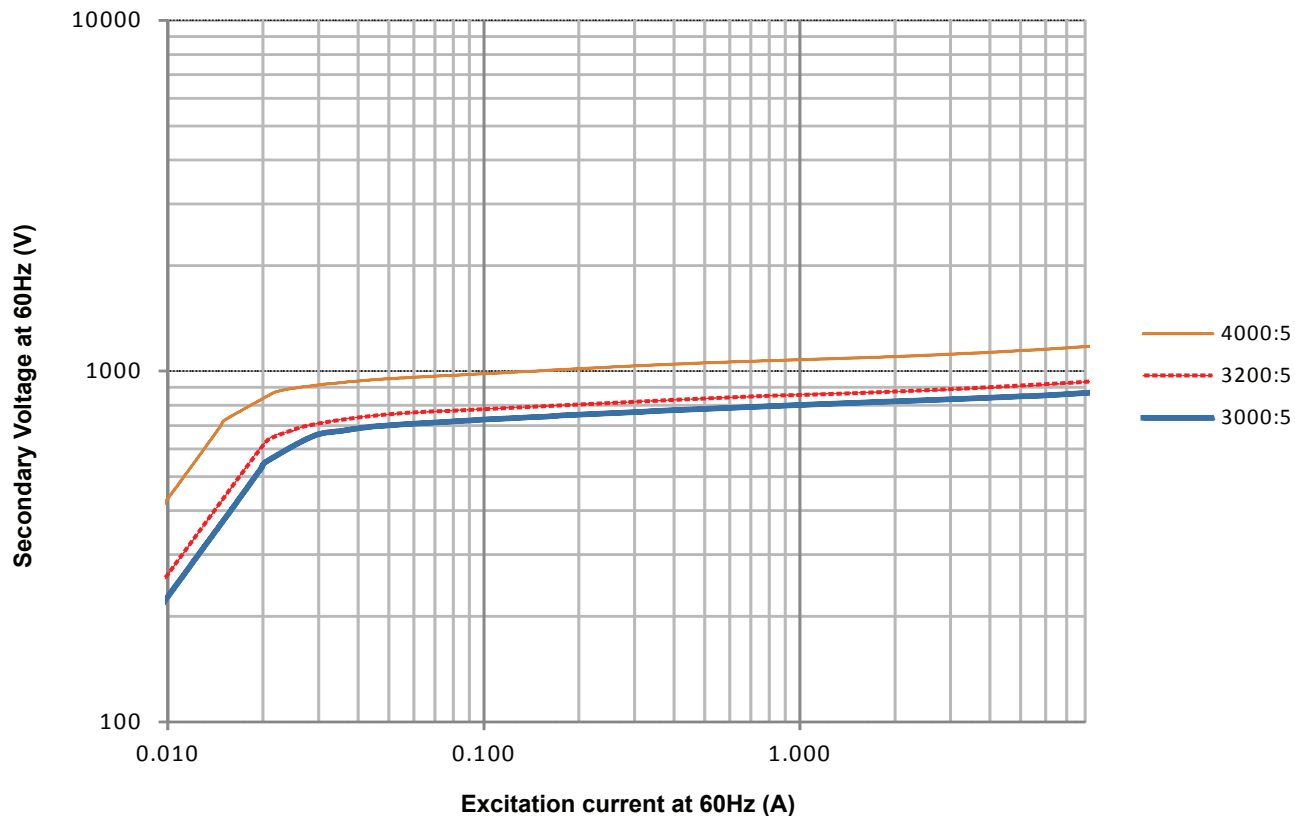
CATALOG NUMBER	CURRENT RATIO (A)	RELAY CLASS	ANSI METERING CLASS AT 60HZ					SECONDARY WINDING RESISTANCE(OHMS @75C)	CURRENT RATING FACTOR @30C
			B0.1	B0.2	B0.5	B0.9	B1.8		
	100:5	C20	1.2	1.2	2.4	4.8		0.04	2.0
ICT89001	200:5	C50	0.3	0.6	1.2	1.2	2.4	0.10	2.0
ICT89010	300:5	C100	0.3	0.3	0.6	0.6	1.2	0.14	2.0
ICT89011	400:5	C100	0.3	0.3	0.3	0.3	0.6	0.21	2.0
ICT89002	600:5	C200	0.3	0.3	0.3	0.3	0.3	0.31	2.0
ICT89012	800:5	C200	0.3	0.3	0.3	0.3	0.3	0.44	2.0
	1000:5	C200	0.3	0.3	0.3	0.3	0.3	0.66	2.0
ICT89003	1200:5	C400	0.3	0.3	0.3	0.3	0.3	0.60	2.0
ICT89004	1500:5	C400	0.3	0.3	0.3	0.3	0.3	0.90	1.5
ICT89005	1600:5	C400	0.3	0.3	0.3	0.3	0.3	0.93	1.5
ICT89006	2000:5	C400	0.3	0.3	0.3	0.3	0.3	1.23	1.5
ICT89007	2500:5	C400	0.3	0.3	0.3	0.3	0.3	1.15	1.5
	3000:5	C400	0.3	0.3	0.3	0.3	0.3	1.43	1.33
ICT89008	3200:5	C400	0.3	0.3	0.3	0.3	0.3	1.45	1.33
ICT89009	4000:5	C400	0.3	0.3	0.3	0.3	0.3	2.18	1.0

## MECHANICAL SPECIFICATIONS



DIMENSIONS IN INCHES[MM]

### Typical Excitation Curves



### Typical Excitation Curves

