

INSTRUMENT CURRENT TRANSFORMER

6.5" Internal Diameter
Width 3.38"



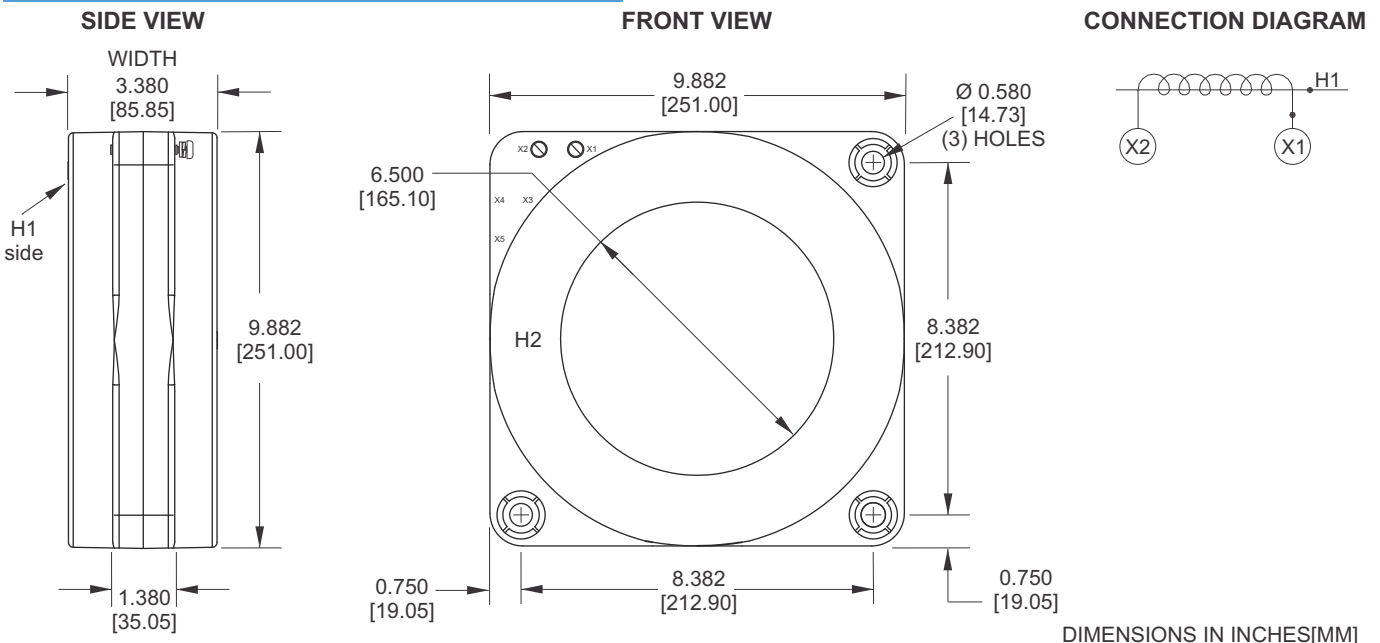
- Application - Switchgear Relay and Metering
- Frequency 50 - 400hz
- AC capability 75 - 4000 Amperes
- Insulation Class 0.6kV, 10kV BIL full wave
- Other ratios available upon request
- Secondary terminals are brass screws No. 10-32 with one flatwasher, lockwasher, accessible from either side
- Approximate weight 23 lbs
- UL and cUL Certified per ANSI/IEEE C57.13 standard



ELECTRICAL SPECIFICATIONS

CATALOG NUMBER	CURRENT RATIO (A)	RELAY CLASS	ANSI METERING CLASS AT 60HZ					SECONDARY WINDING RESISTANCE(OHMS @75C)	CURRENT RATING FACTOR @30C
			B0.1	B0.2	B0.5	B1.0	B2.0		
ICT91010	75:5	C10	2.4	2.4				0.06	2.0
ICT91011	100:5	C10	1.2	2.4				0.05	2.0
ICT91007	150:5	C20	0.6	1.2	2.4			0.05	2.0
ICT91008	200:5	C20	0.6	0.6	1.2			0.05	2.0
ICT91012	250:5	C20	0.6	0.6	1.2	2.4		0.07	2.0
ICT91013	300:5	C20	0.3	0.6	1.2	1.2	2.4	0.08	2.0
ICT91005	400:5	C50	0.3	0.3	0.6	1.2	1.2	0.13	2.0
ICT91014	500:5	C50	0.3	0.3	0.3	0.6	1.2	0.14	2.0
ICT91020	600:5	C100	0.3	0.3	0.3	0.6	0.6	0.19	2.0
ICT91016	800:5	C100	0.3	0.3	0.3	0.3	0.6	0.23	2.0
ICT91004	1000:5	C100	0.3	0.3	0.3	0.3	0.3	0.30	2.0
ICT91021	1200:5	C200	0.3	0.3	0.3	0.3	0.3	0.42	2.0
ICT91017	1500:5	C200	0.3	0.3	0.3	0.3	0.3	0.55	2.0
ICT91006	2000:5	C200	0.3	0.3	0.3	0.3	0.3	0.53	2.0
ICT91018	2500:5	C200	0.3	0.3	0.3	0.3	0.3	0.69	1.5
ICT91009	3000:5	C200	0.3	0.3	0.3	0.3	0.3	0.68	2.0
ICT91003	4000:5	C200	0.3	0.3	0.3	0.3	0.3	0.96	1.5

MECHANICAL SPECIFICATIONS



Typical Excitation Curves

