

**6.5" Internal Diameter**  
Width 6.75"



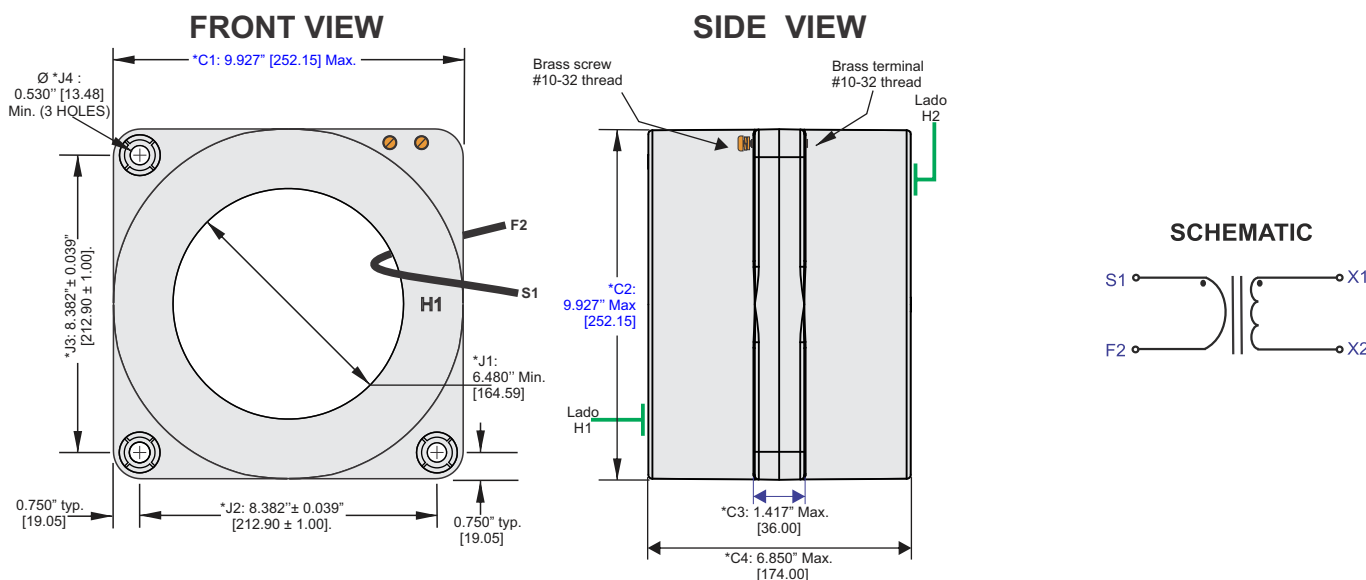
- Application - Relay and Metering
- Frequency 50 - 400hz
- AC capability 50 - 4000 Amperes
- Insulation Class 0.6kV, 10kV BIL full wave
- Secondary terminals are brass screws No. 10-32 with one flatwasher, lockwasher, accessible from either side
- Approximate weight 52 lbs
- UL and cUL Certified per ANSI/IEEE C57.13 standard

C US E469271    C US 272140

## ELECTRICAL SPECIFICATIONS

CATALOG NUMBER	CURRENT RATIO (A)	RELAY CLASS	ANSI METERING CLASS AT 60HZ					SECONDARY WINDING RESISTANCE(OHMS @75C)	CURRENT RATING FACTOR @30C
			B0.1	B0.2	B0.5	B0.9	B1.8		
ICT92007	50:5	C10	2.4	4.8				0.03	2.0
ICT92020	75:5	C20	2.4	2.4	4.8			0.02	2.0
ICT92004	100:5	C20	1.2	2.4	4.8			0.05	2.0
ICT92005	150:5	C50	0.6	1.2	2.4	2.4	4.8	0.06	2.0
ICT92001	200:5	C50	0.6	0.6	1.2	2.4	2.4	0.08	2.0
ICT92021	250:5	C50	0.3	0.6	1.2	1.2	2.4	0.13	2.0
ICT92011	300:5	C100	0.3	0.3	0.6	1.2	1.2	0.18	2.0
ICT92009	400:5	C100	0.3	0.3	0.6	1.2	1.2	0.20	2.0
ICT92012	500:5	C100	0.3	0.3	0.3	0.3	0.6	0.24	2.0
ICT92003	600:5	C200	0.3	0.3	0.3	0.3	0.6	0.37	2.0
ICT92013	800:5	C200	0.3	0.3	0.3	0.3	0.3	0.42	2.0
ICT92014	1000:5	C200	0.3	0.3	0.3	0.3	0.3	0.48	2.0
ICT92002	1200:5	C400	0.3	0.3	0.3	0.3	0.3	0.75	2.0
ICT92022	1500:5	C400	0.3	0.3	0.3	0.3	0.3	0.87	2.0
ICT92024	1600:5	C400	0.3	0.3	0.3	0.3	0.3	0.90	2.0
ICT92006	2000:5	C400	0.3	0.3	0.3	0.3	0.3	1.00	2.0
ICT92023	2500:5	C400	0.3	0.3	0.3	0.3	0.3	1.15	1.5
ICT92010	3000:5	C400	0.3	0.3	0.3	0.3	0.3	1.20	1.3
ICT92018	4000:5	C400	0.3	0.3	0.3	0.3	0.3	1.32	1.3

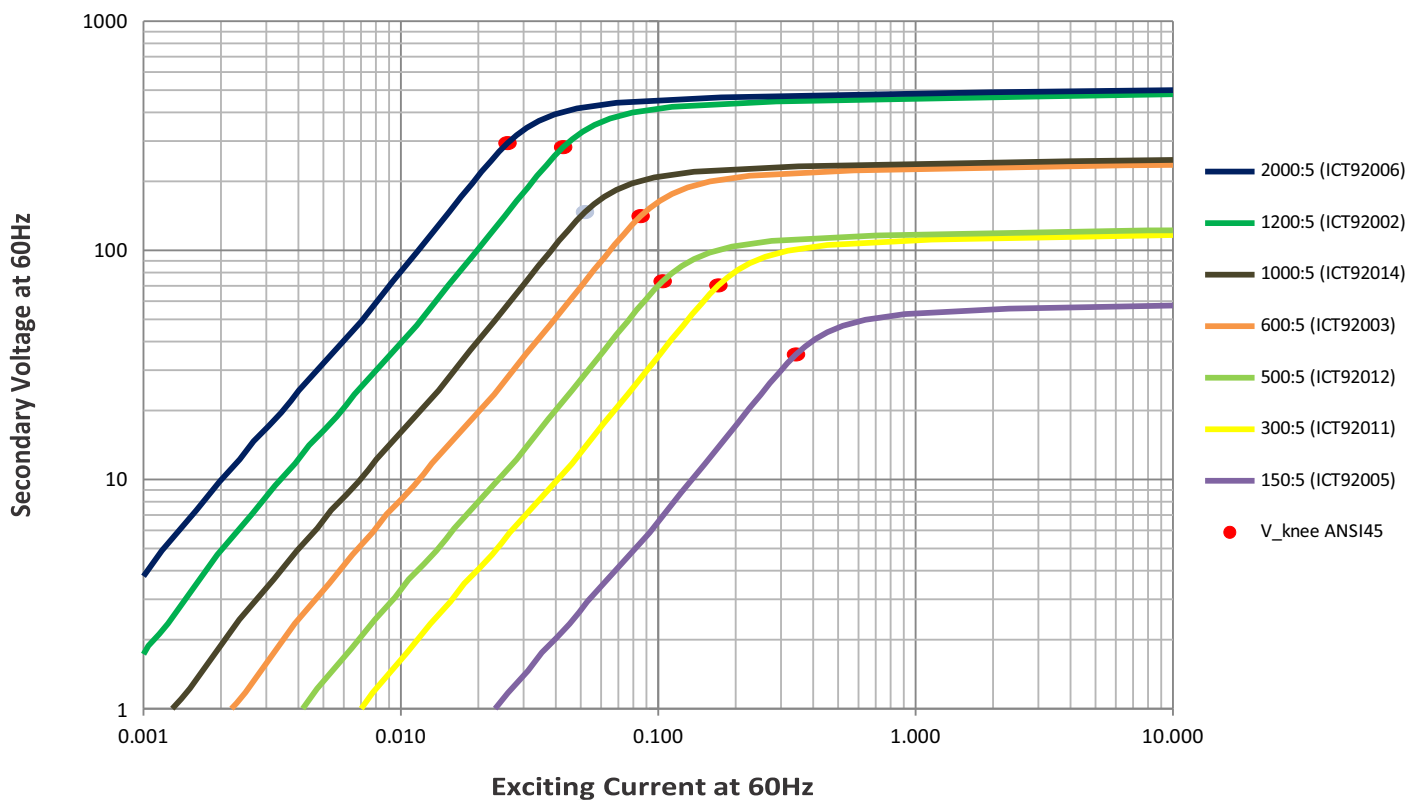
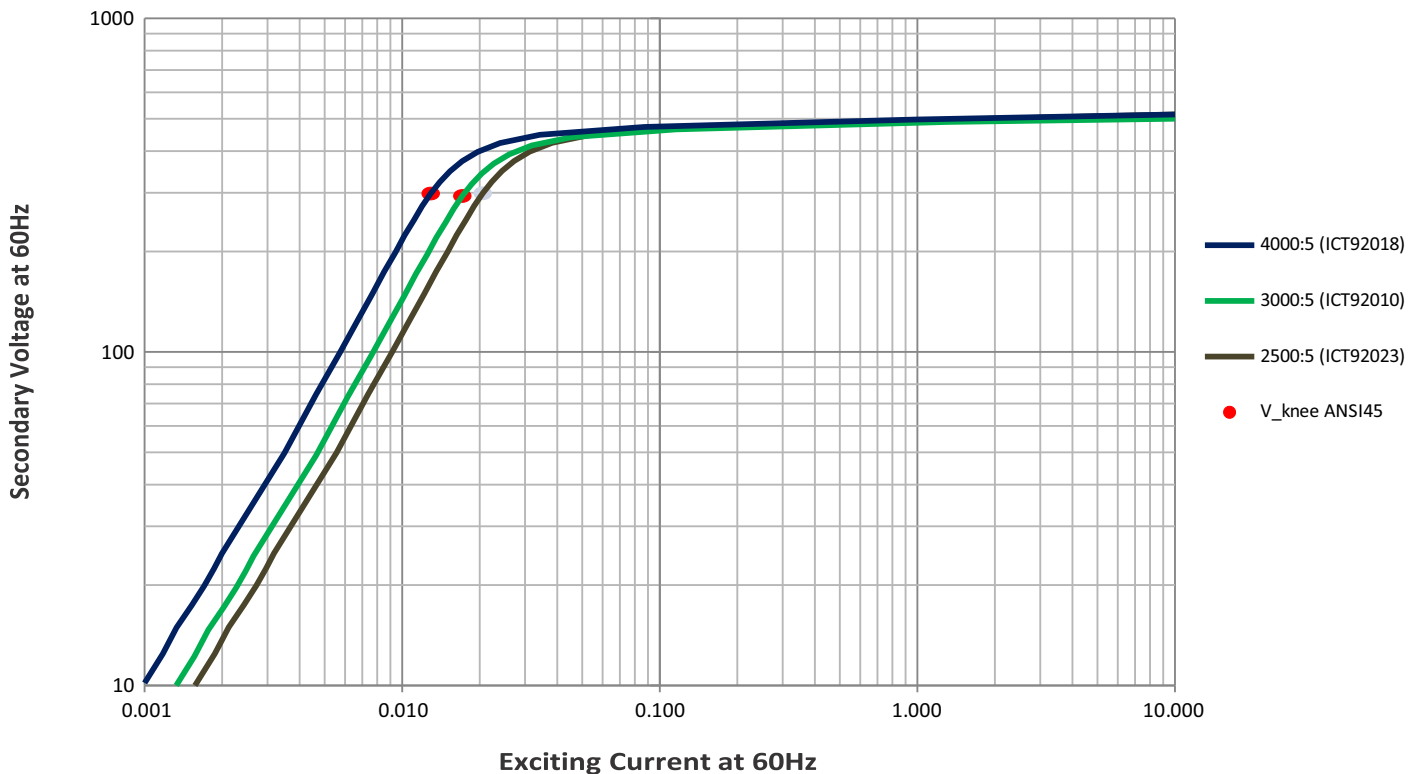
## MECHANICAL SPECIFICATIONS



6.5" Internal Diameter  
Width 6.75"



## Typical Excitation Curves



6.5" Internal Diameter  
Width 6.75"

## Typical Excitation Curves

