

INSTRUMENT CURRENT TRANSFORMER

7.0" Internal Diameter, Multi-Ratio
Width 3.5"



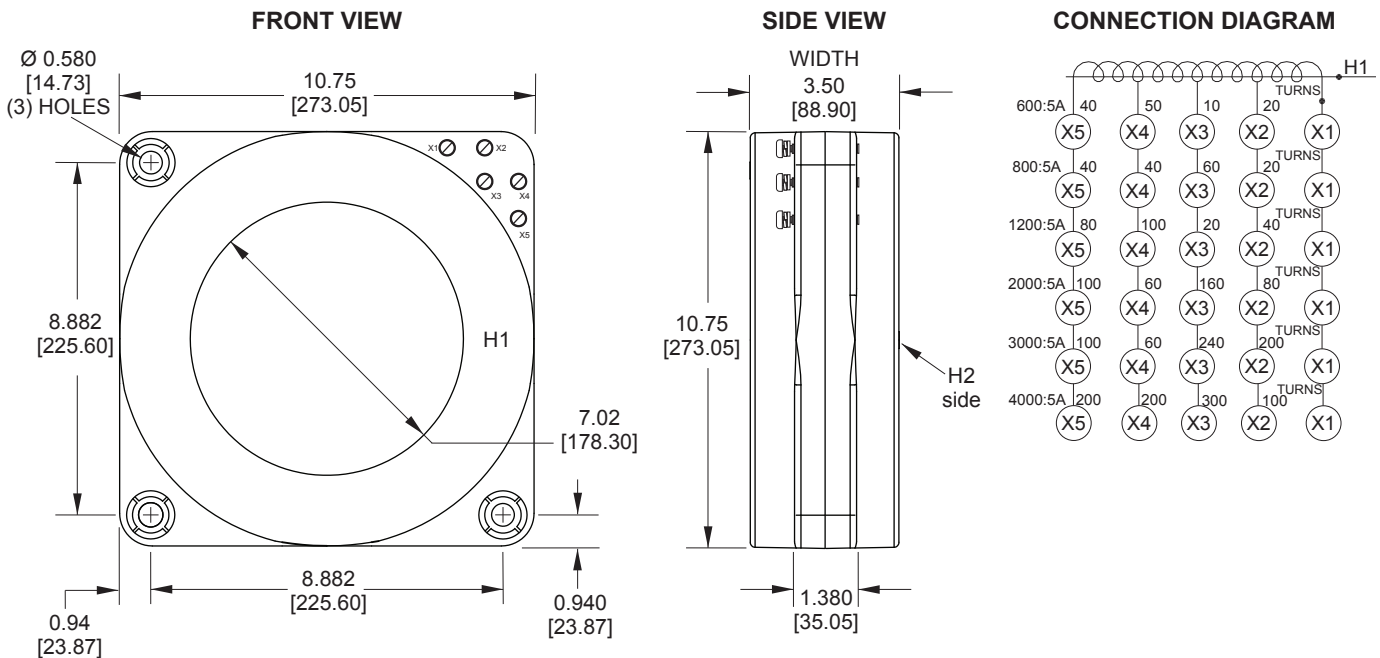
- Application - Relay and Metering
- Frequency 50 - 400hz
- AC capability 600 - 4000 Amperes
- Insulation Class 0.6kV, 10kV BIL full wave
- Excitation curves upon request
- Secondary terminals are brass screws No. 10-32 with one flatwasher, lockwasher, accessible from either side
- Approximate weight 31 lbs
- UL and cUL Certified per ANSI/IEEE C57.13 standard

C US E469271

ELECTRICAL SPECIFICATIONS

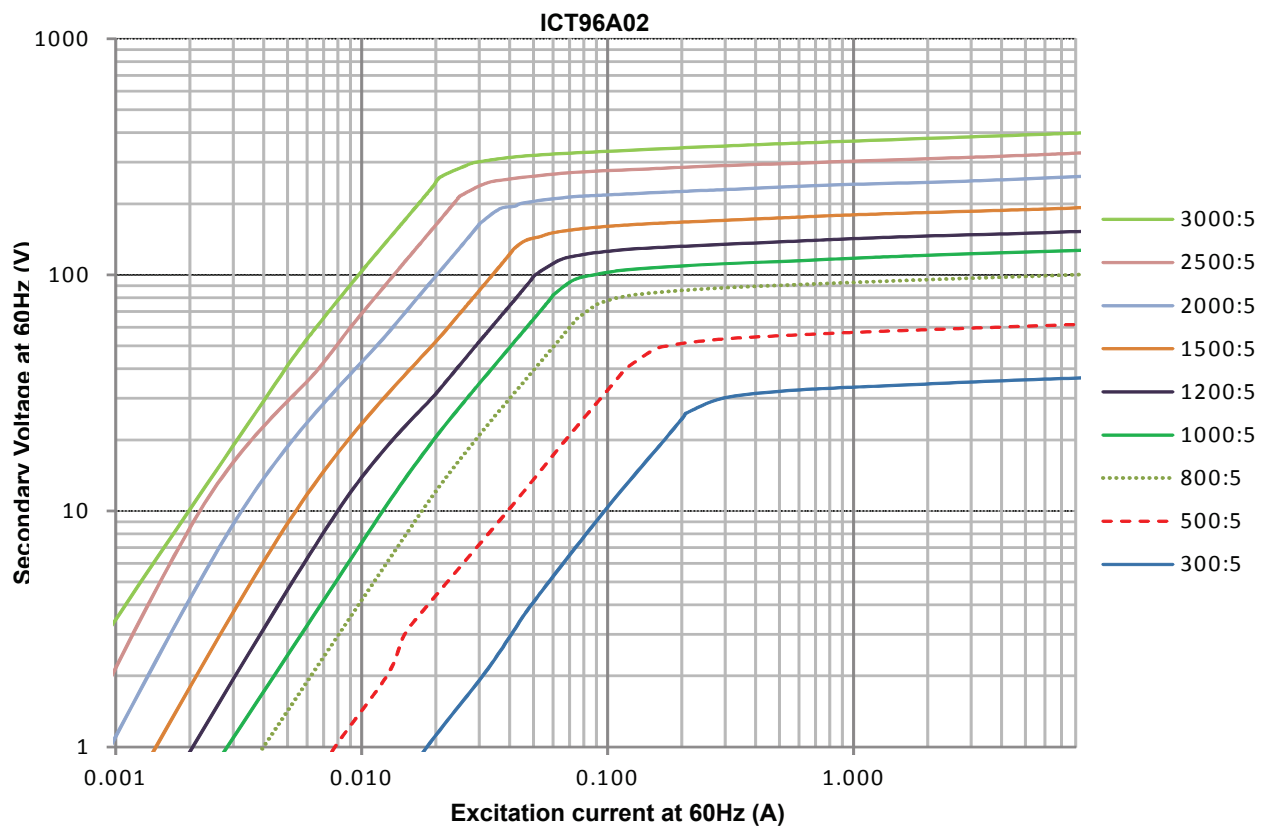
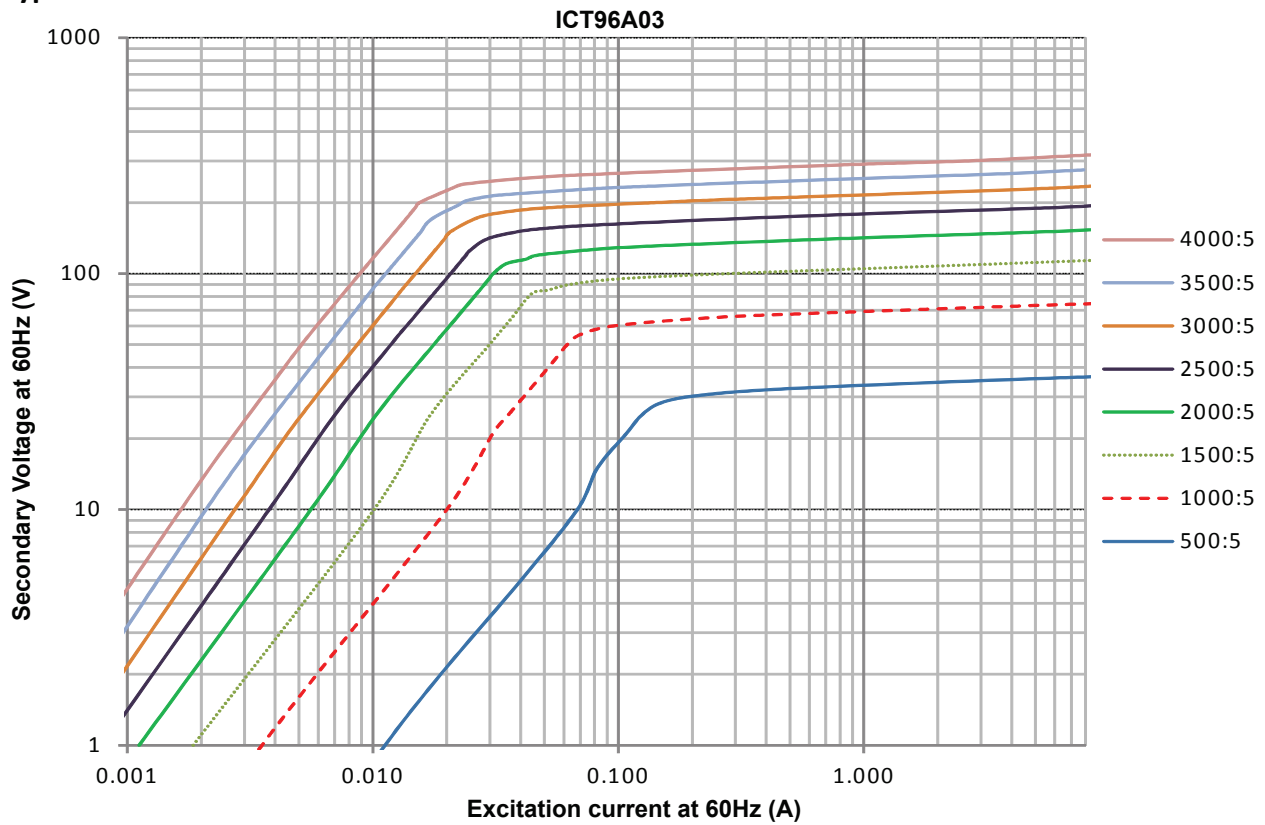
CATALOG NUMBER	CURRENT RATIO (A), (X1-X5)	RELAY CLASS	ANSI METERING CLASS AT 60HZ (X1-X5)					SECONDARY WINDING RESISTANCE (OHMS @75C), (X1-X5)	CURRENT RATING FACTOR @30C
			B0.1	B0.2	B0.5	B0.9	B2.0		
ICT96A07	600:5	C100	0.3	0.3	0.3	0.6	1.2	0.19	2.0
ICT96A01	800:5	C100	0.3	0.3	0.3	0.6	0.6	0.28	2.0
ICT96A08	1200:5	C200	0.3	0.3	0.3	0.3	0.3	0.44	2.0
ICT96A04	2000:5	C200	0.3	0.3	0.3	0.3	0.3	0.60	1.0
ICT96A02	3000:5	C200	0.3	0.3	0.3	0.3	0.3	1.19	1.0
ICT96A03	4000:5	C200	0.3	0.3	0.3	0.3	0.3	1.03	1.0

MECHANICAL SPECIFICATIONS

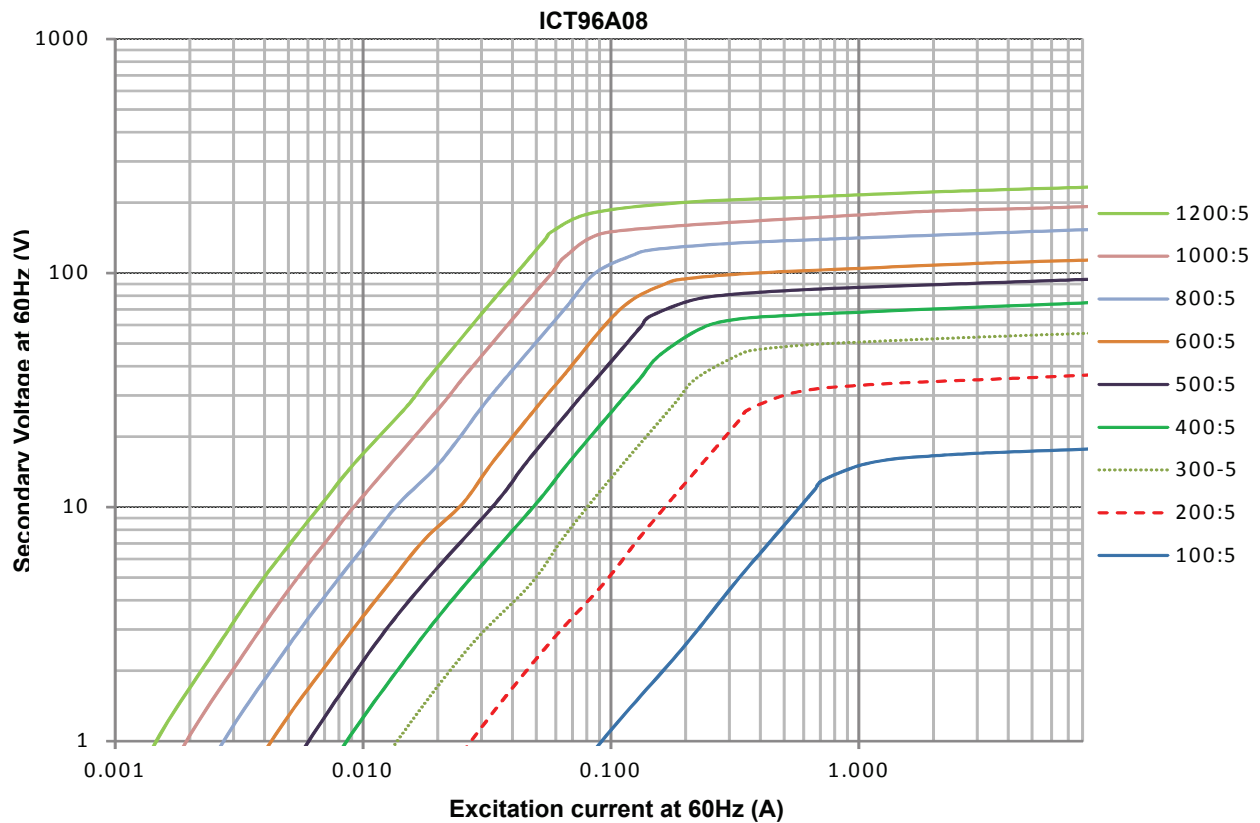
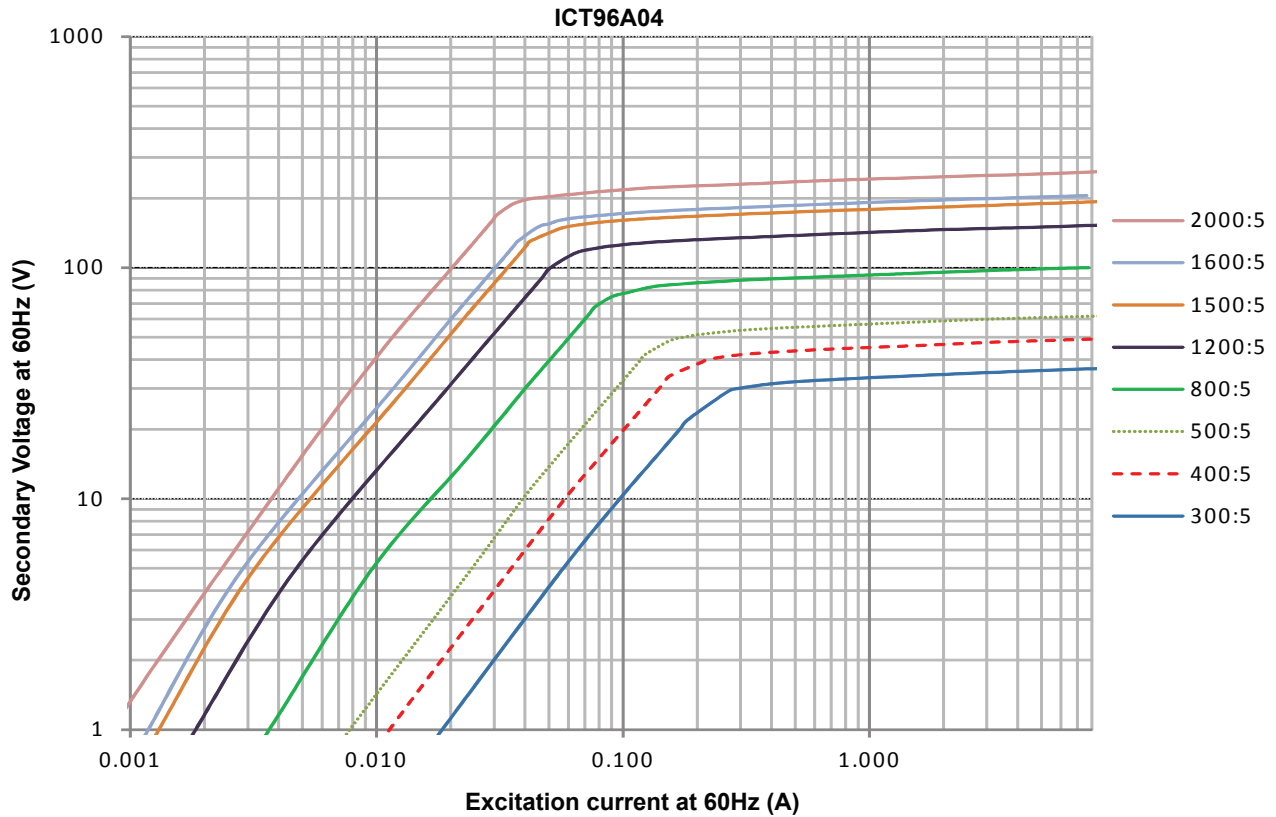


DIMENSIONS IN INCHES[MM]

Typical Excitation Curves



Typical Excitation Curves



Typical Excitation Curves

