

INSTRUMENT CURRENT TRANSFORMER



7.0" Internal Diameter
Width 7.0"



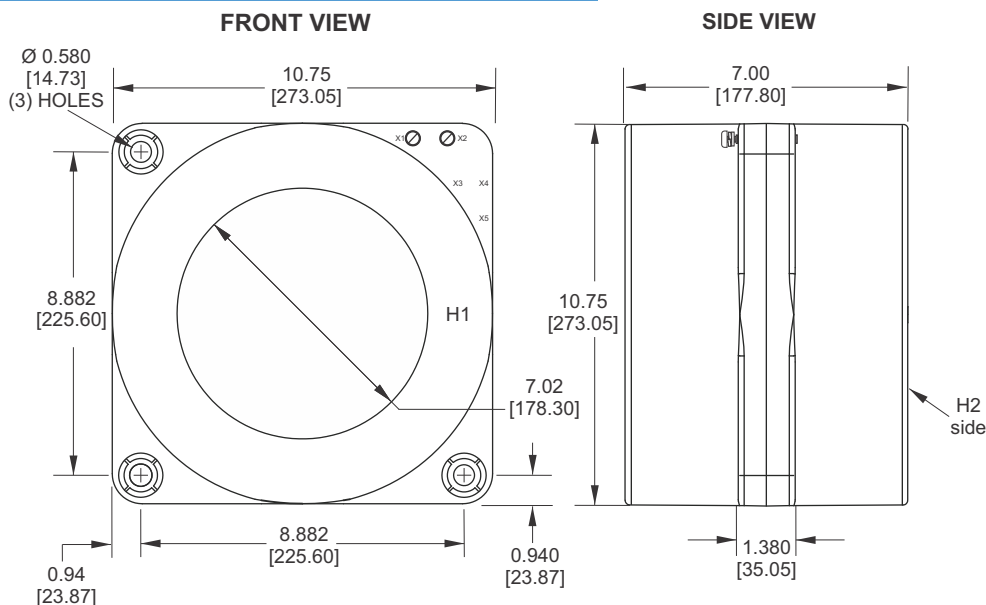
- Application - Relay and Metering
- Frequency 50 - 400 Hz
- AC capability 600 - 4000 Amperes
- Insulation Class 0.6kV, 10kV BIL full wave
- Excitation curves upon request
- Secondary terminals are brass screws No. 10-32 with one flatwasher, lockwasher, accessible from either side
- Approximate weight 52 lbs
- UL and cUL Certified per ANSI/IEEE C57.13 standard



ELECTRICAL SPECIFICATIONS

CATALOG NUMBER	CURRENT RATIO (A)	RELAY CLASS	ANSI METERING ACCURACY CLASS AT 60HZ								TYPICAL SECONDARY RESISTANCE (OHMS @75C)	CURRENT RATING FACTOR @30C	CURRENT RATING FACTOR @55C
			B0.1	B0.2	B0.5	B0.9	B1.0	B1.8	B2.0				
ICT98020	40:5	C10	4.8								0.019	2.0	1.5
ICT98007	50:5	C10	4.8	4.8							0.031	2.0	1.5
ICT98008	75:5	C20	2.4	2.4	4.8						0.046	2.0	1.5
ICT98009	100:5	C20	1.2	2.4	2.4	4.8	4.8				0.066	2.0	1.5
ICT98005	150:5	C20	0.6	1.2	1.2	2.4	2.4	4.8	4.8		0.099	2.0	1.5
ICT98010	200:5	C50	0.6	0.6	1.2	1.2	1.2	2.4	2.4		0.132	2.0	1.5
ICT98011	250:5	C50	0.3	0.6	0.6	1.2	1.2	2.4	2.4		0.147	2.0	1.5
ICT98001	300:5	C100	0.3	0.3	0.6	0.6	0.6	1.2	1.2		0.177	2.0	1.5
ICT98021	350:5	C100	0.3	0.3	0.6	0.6	0.6	1.2	1.2		0.260	2.0	1.5
ICT98012	400:5	C100	0.3	0.6	0.3	0.6	0.6	0.6	0.6		0.263	2.0	1.5
ICT98013	500:5	C100	0.3	0.3	0.3	0.3	0.3	0.6	0.6		0.330	2.0	1.5
ICT98004	600:5	C200	0.3	0.3	0.3	0.3	0.3	0.3	0.3		0.395	2.0	1.5
ICT98014	700:5	C200	0.3	0.3	0.3	0.3	0.3	0.3	0.3		0.461	2.0	1.5
ICT98002	800:5	C200	0.3	0.3	0.3	0.3	0.3	0.3	0.3		0.593	2.0	1.5
ICT98015	1000:5	C200	0.3	0.3	0.3	0.3	0.3	0.3	0.3		0.742	2.0	1.5
ICT98003	1200:5	C400	0.3	0.3	0.3	0.3	0.3	0.3	0.3		0.707	2.0	1.5
ICT98022	1500:5	C400	0.3	0.3	0.3	0.3	0.3	0.3	0.3		0.861	2.0	1.5
ICT98016	1600:5	C400	0.3	0.3	0.3	0.3	0.3	0.3	0.3		0.918	2.0	1.5
ICT98006	2000:5	C400	0.3	0.3	0.3	0.3	0.3	0.3	0.3		1.284	1.3	1.0
ICT98017	2500:5	C400	0.3	0.3	0.3	0.3	0.3	0.3	0.3		1.727	1.3	1.0
ICT98018	3000:5	C400	0.3	0.3	0.3	0.3	0.3	0.3	0.3		1.640	1.3	1.0
ICT98019	4000:5	C400	0.3	0.3	0.3	0.3	0.3	0.3	0.3		1.923	1.3	1.0
ICT98023	5000:5	C400	0.3	0.3	0.3	0.3	0.3	0.3	0.3		2.340	1.0	0.8

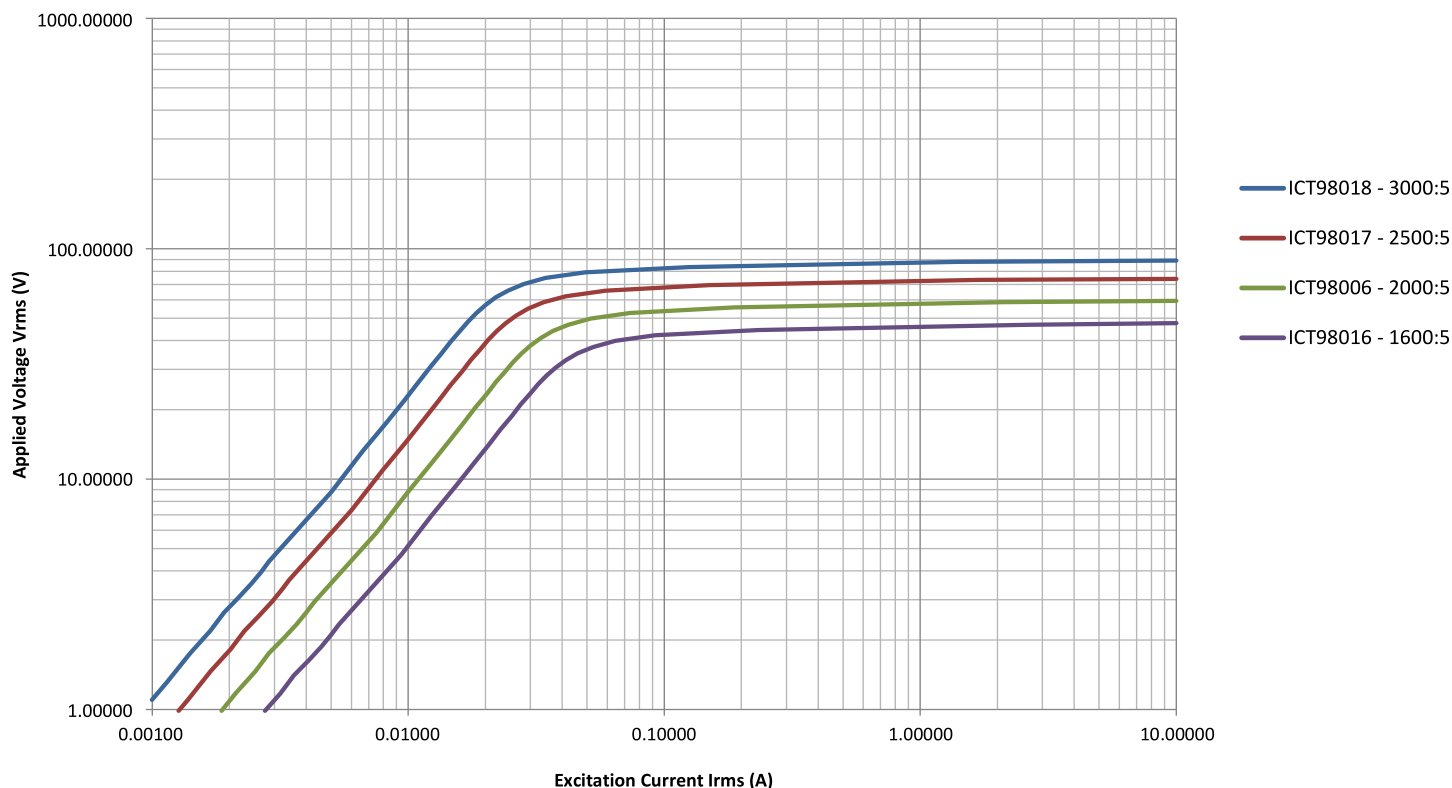
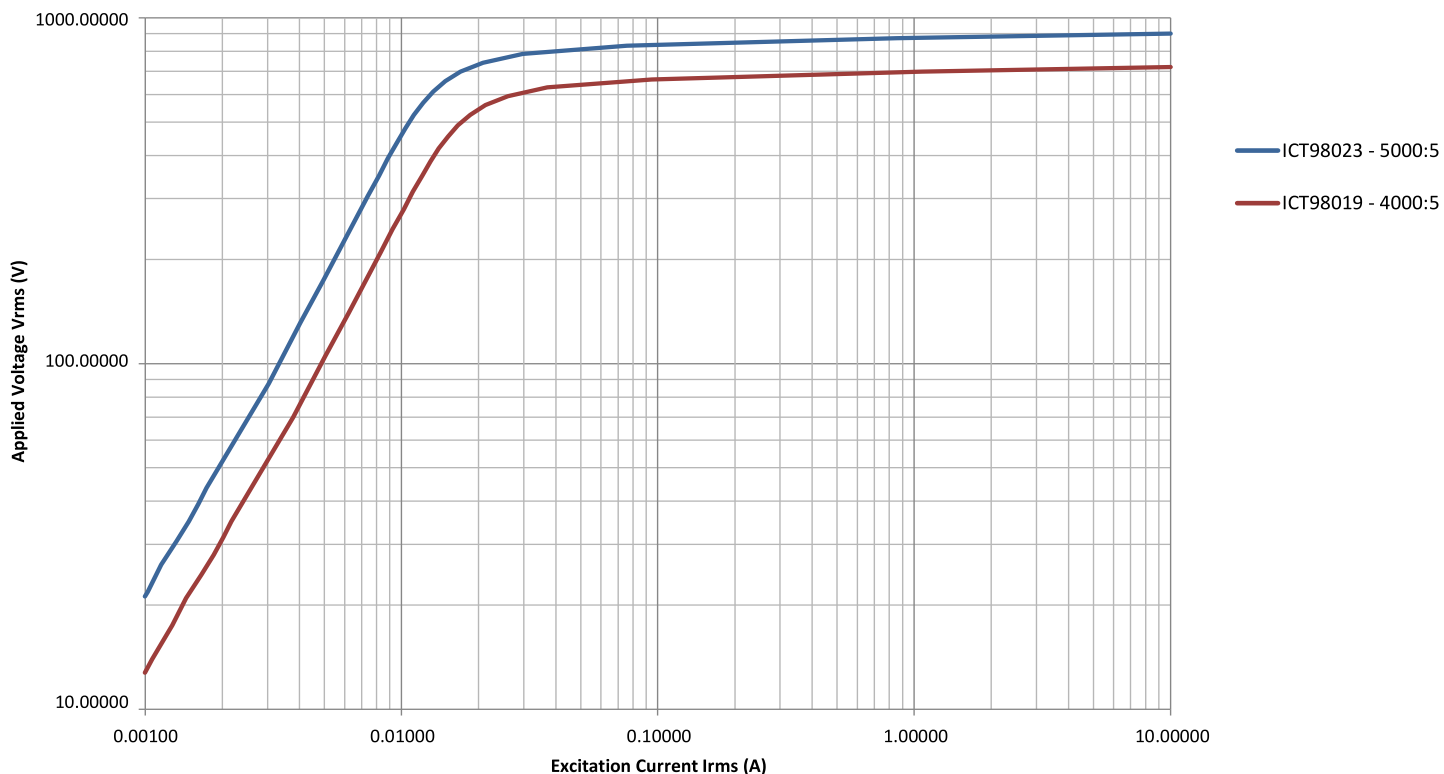
MECHANICAL SPECIFICATION



7.0" Internal Diameter
Width 7.0"



Typical Excitation Curves



7.0" Internal Diameter
Width 7.0"

Typical Excitation Curves

