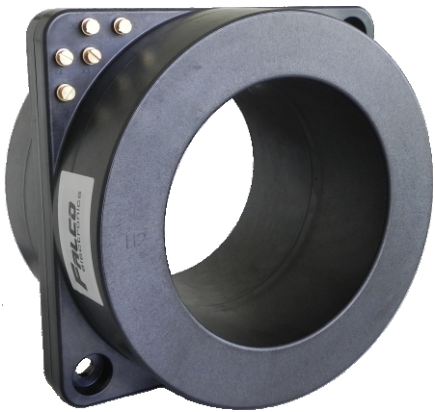


INSTRUMENT CURRENT TRANSFORMER

7.0" Internal Diameter, Multi-Ratio
Width 7.0"



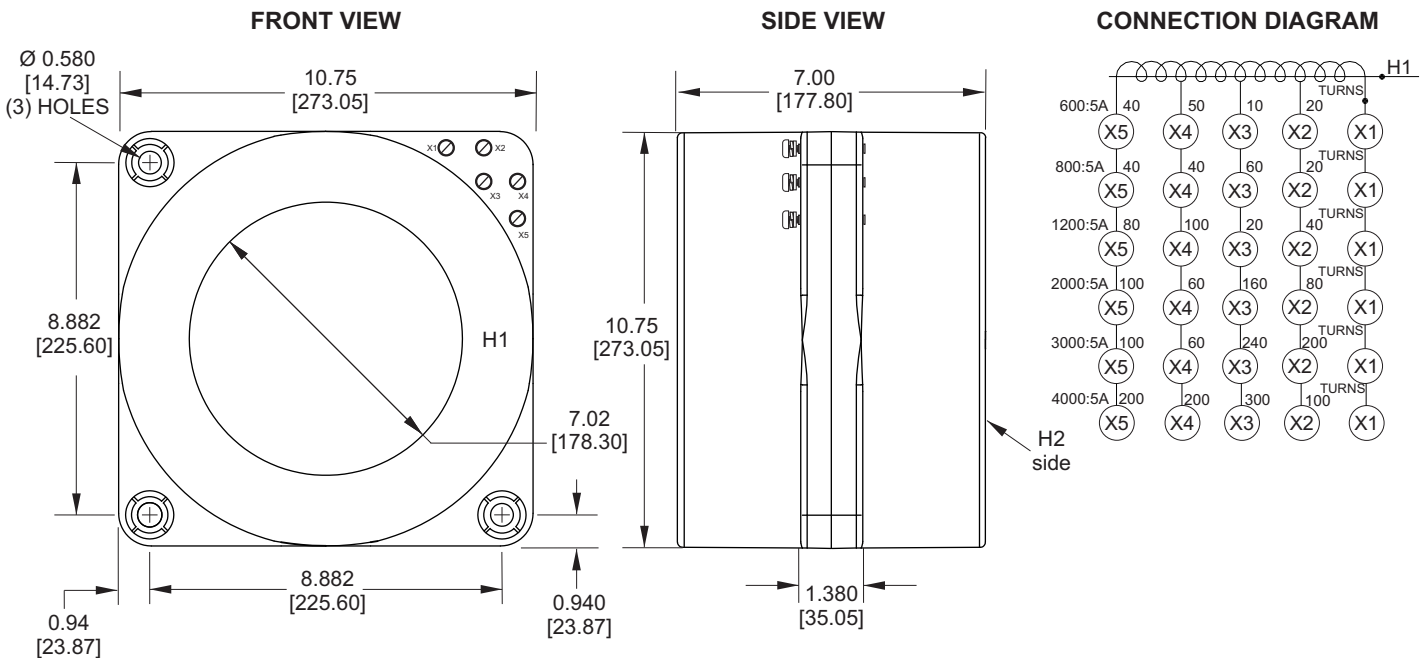
- Application - Relay and Metering
- Frequency 50 - 400 Hz
- AC capability 600 - 4000 Amperes
- Insulation class 0.6 kV , 10 kV BIL full wave
- Excitation curves upon request
- Secondary terminals are brass screws No. 10-32 with one flatwasher, lockwasher, accessible from either side
- UL and cUL Certified tested per ANSI/IEEE C57.13 standard.

C US E469271

ELECTRICAL SPECIFICATIONS

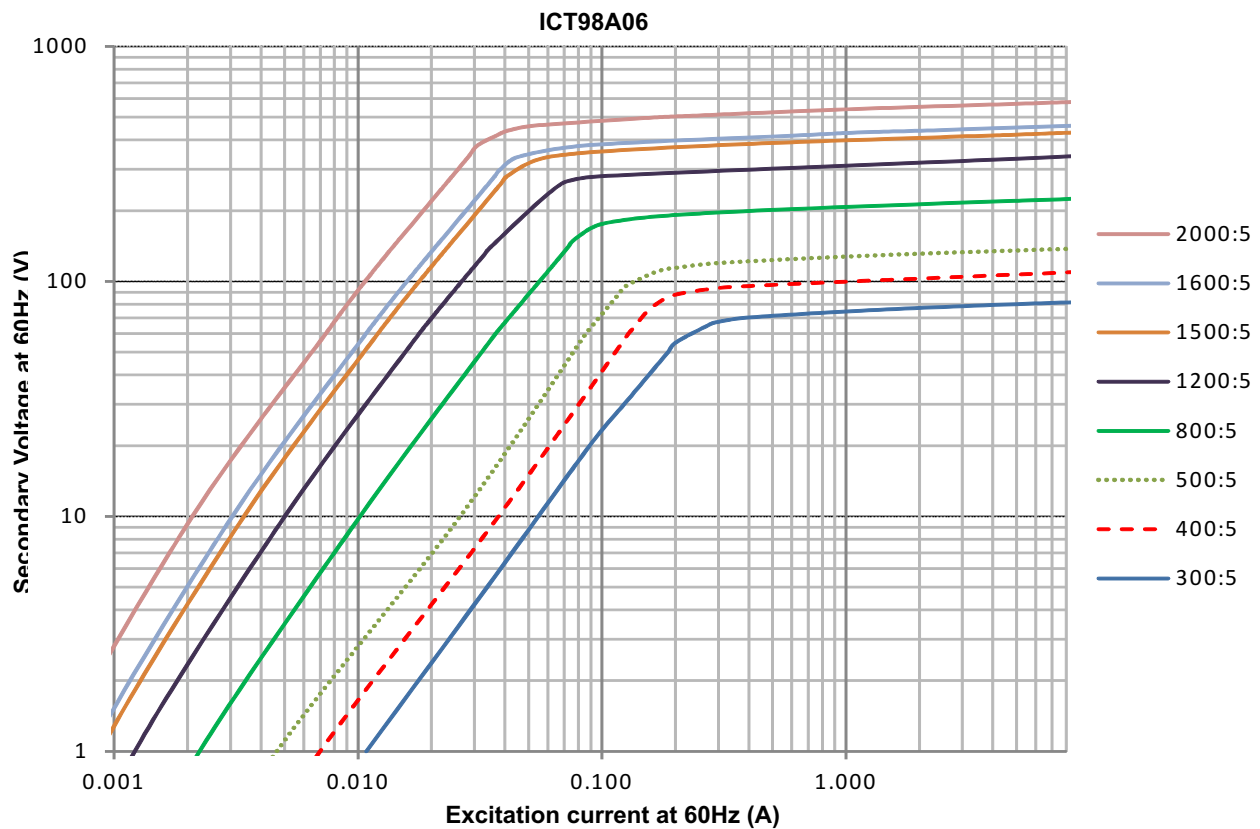
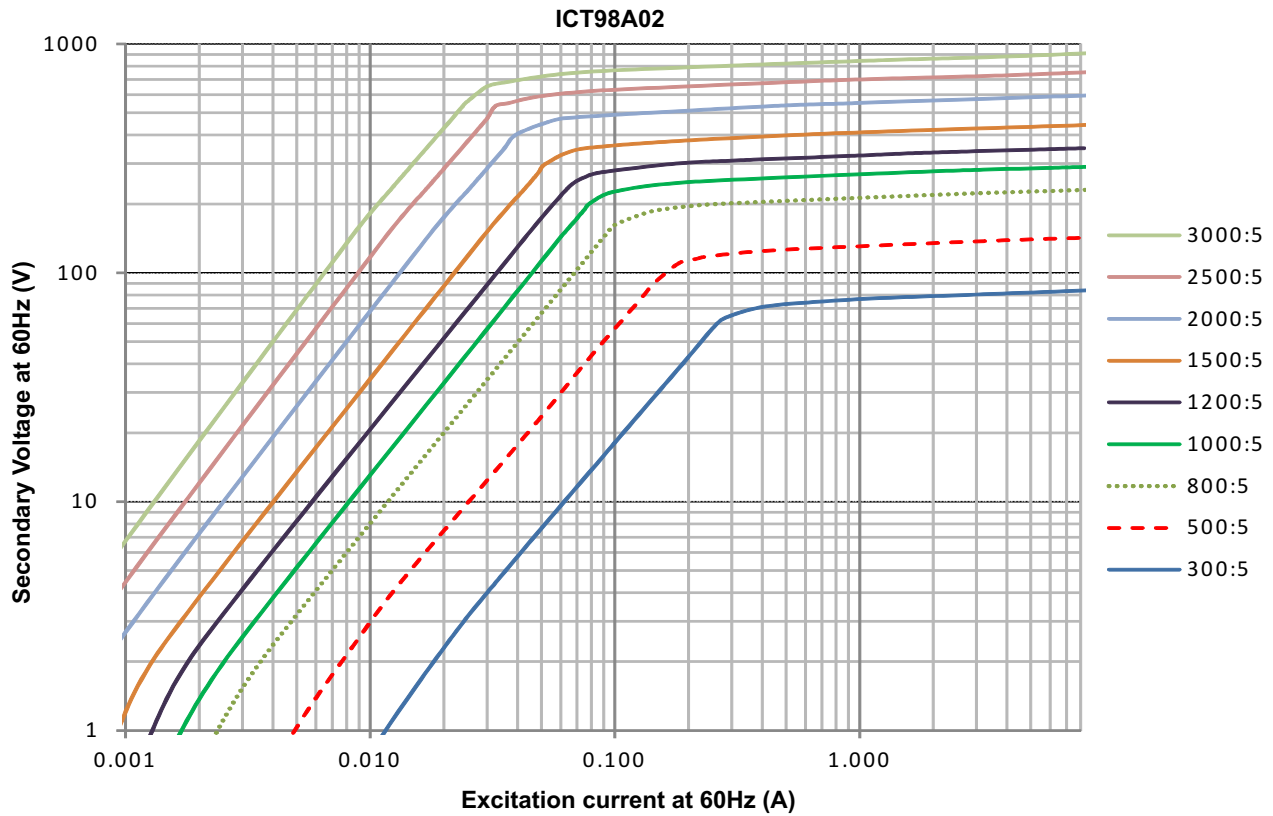
CATALOG NUMBER	CURRENT RATIO (A), (X1-X5)	RELAY CLASS	ANSI METERING CLASS AT 60HZ (X1-X5)					SECONDARY WINDING RESISTANCE (OHMS @75C), (X1-X5)	CURRENT RATING FACTOR @30C
			B0.1	B0.2	B0.5	B0.9	B2.0		
ICT98A01	600:5	C245	0.3	0.3	0.3	0.6	1.2	0.19	2.0
ICT98A03	1200:5	C425	0.3	0.3	0.3	0.3	0.3	0.44	2.0
ICT98A06	2000:5	C460	0.3	0.3	0.3	0.3	0.3	0.60	1.0
ICT98A02	3000:5	C660	0.3	0.3	0.3	0.3	0.3	1.19	1.0

MECHANICAL SPECIFICATIONS



DIMENSIONS IN INCHES[MM]

Typical Excitation Curves



Typical Excitation Curves

