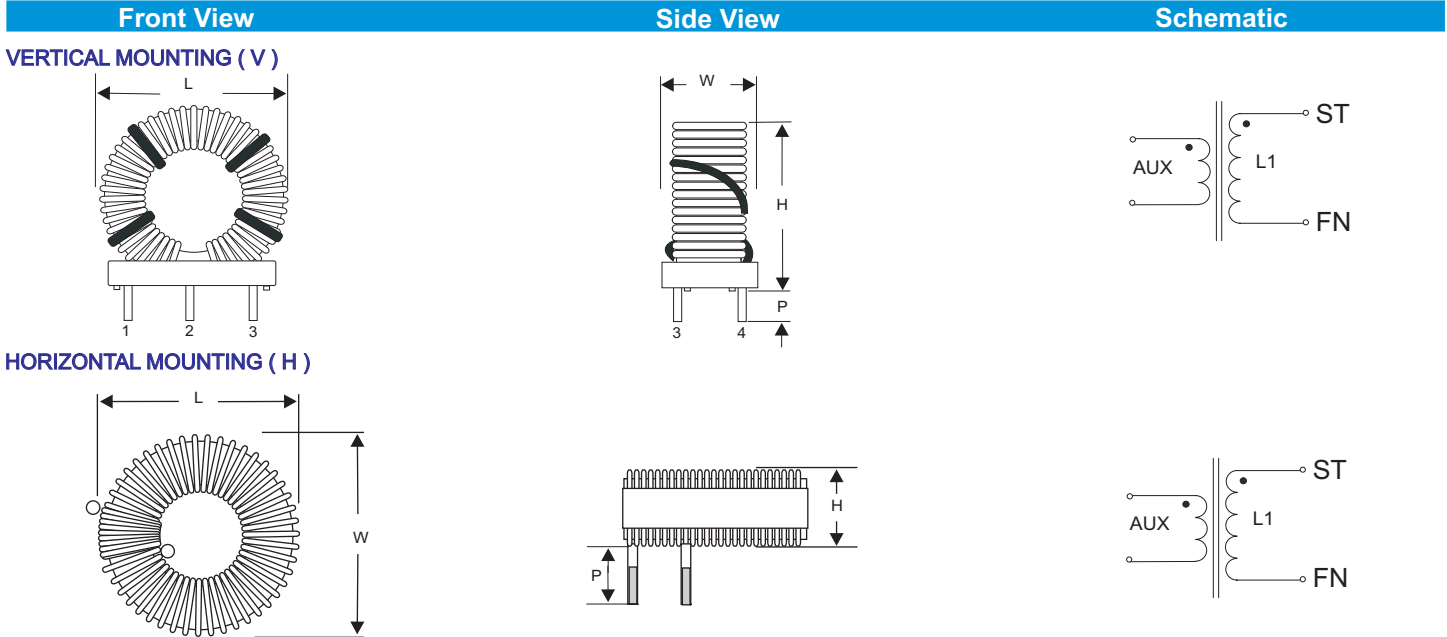




MAX. DIM :
L = 55.88 mm
W = 55.12 mm
H = 70.87 mm

- Designed for use in off-line AC/DC pre-regulators circuits for switching power converters applications.
- Low cores loss and high flux density.
- Auxiliary winding optional.

MECHANICAL SPECIFICATIONS



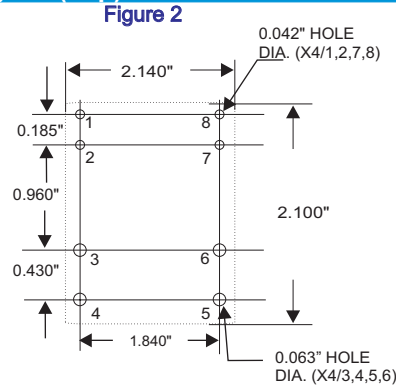
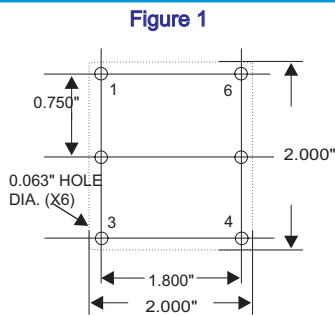
ELECTRICAL SPECIFICATIONS

FALCO PART NUMBER	RoHS PART NUMBER	Mounting / PCB LAYOUT	L (mm) max.	W (mm) max.	H (mm) max.	Auxiliary Winding / L1 Ratio	DCR(mΩ) ¹ max.	L (μH) ¹ min.	Freq. (KHz)	Volt. (V)	L1 ST - FN	AUX ST - FN	I @ 80%L (A DC)	I @ 65%L (A DC)	I @ 50%L (A DC)	I @ 30%L (A DC)
T18030	T18L30	V / FIG.1	54.61	53.34	57.15	---	85	594	1	0.25	2 - 5	---	6.84	11.11	15.38	25.64
T18041*		V / FIG.2	55.88	55.12	70.87	54:4:3	55	708	10	0.30	3,4 - 5,6	1,7 - 2,8	6.33	10.29	14.24	23.74

*Mounting drawing is only for reference & paper phenolic is used as base.
 Contact FALCO for detailed specifications for P dimension.

PCB LAYOUT SPECIFICATIONS

SUGGESTED PCB Layout (Top)



1. AMBIENT TEMPERATURE TEST AT 25°C



RoHS COMPLIANT PRODUCT