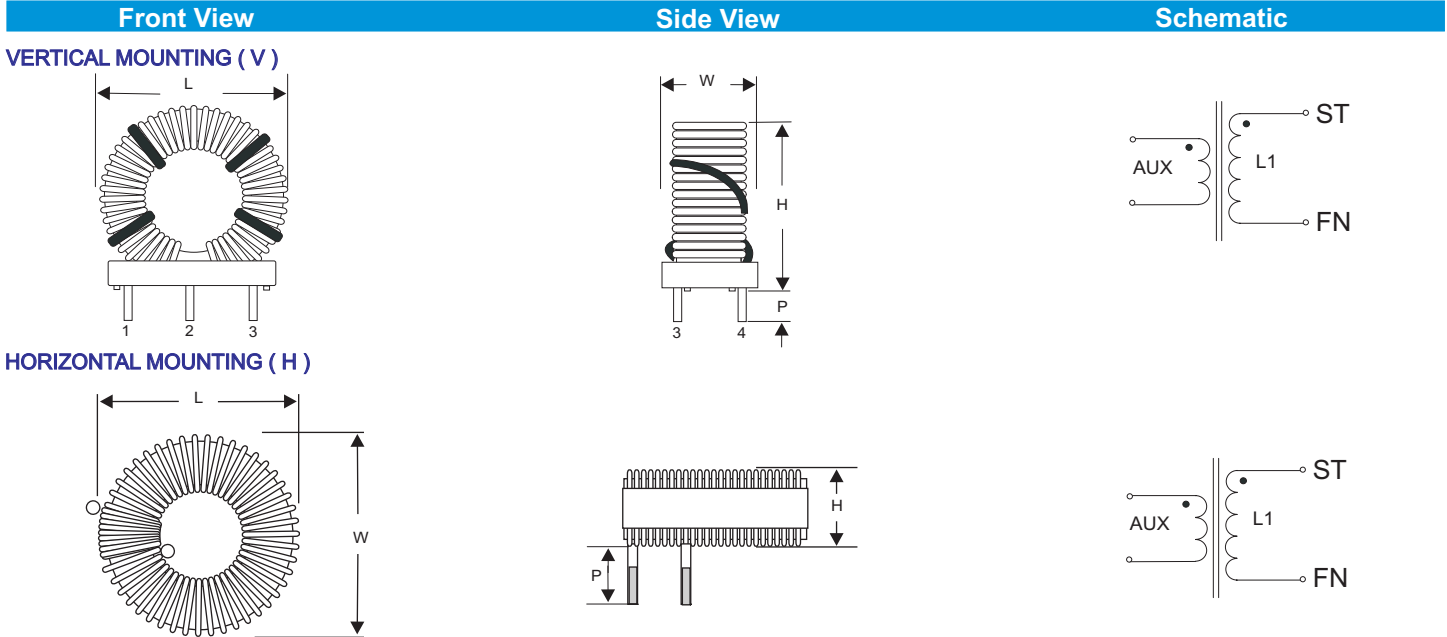




MAX. DIM :
L = 67.31 mm
W = 67.31 mm
H = 72.00 mm

- Designed for use in off-line AC/DC pre-regulators circuits for switching power converters applications.
- Low cores loss and high flux density.
- Auxiliary winding optional.

MECHANICAL SPECIFICATIONS



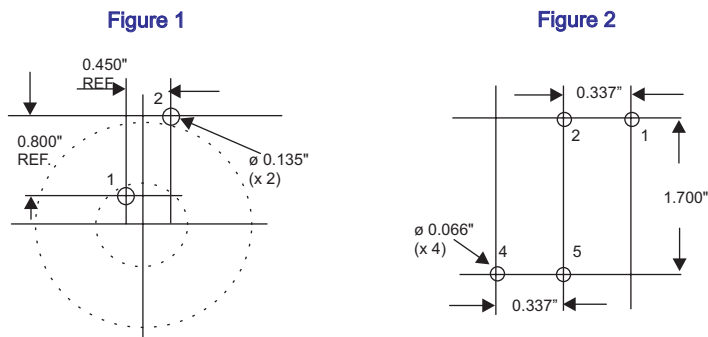
ELECTRICAL SPECIFICATIONS

FALCO PART NUMBER	Mounting / PCB LAYOUT	L (mm) max.	W (mm) max.	H (mm) max.	Auxiliary Winding / L1 Ratio	DCR(mΩ) ¹ max.	L (μH) ¹ min.	Freq. (KHz)	Volt. (V)	L1 ST - FN	AUX ST - FN	I @ 80%L (A DC)	I @ 65%L (A DC)	I @ 50%L (A DC)	I @ 30%L (A DC)
T23027	H / FIG.1	67.31	67.31	34.29	---	25	287	20	0.25	1 - 2	---	5.69	8.89	14.22	23.11
T23A27	V / FIG.2	66.04	53.34	72.00	---	18	287	10	0.25	1,2 - 3,4	---	5.69	8.89	14.22	23.11

¹Contact FALCO for detailed specifications for P dimension

PCB LAYOUT SPECIFICATIONS

SUGGESTED PCB Layout (Top)



1. AMBIENT TEMPERATURE TEST AT 25°C