

POWER FACTOR CORRECTORS

POWER MAGNETICS

(T23 -26X3 Series)

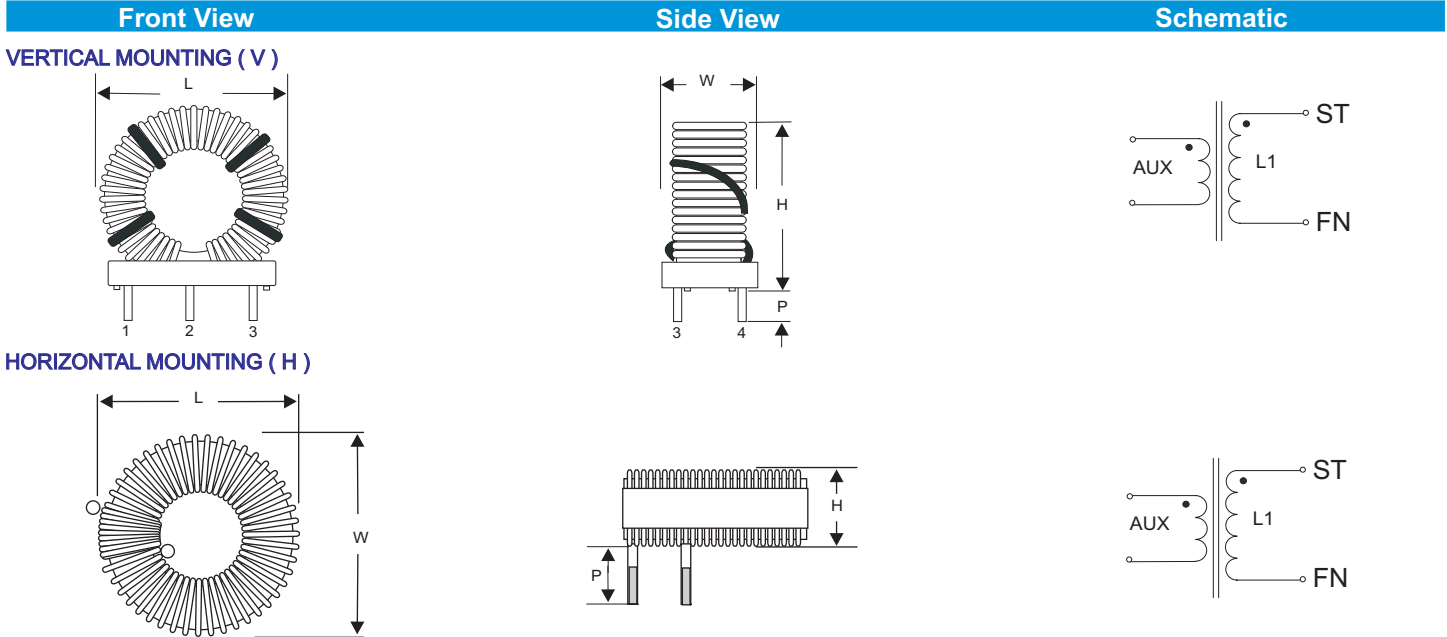
FALCO
electronics



MAX. DIM :
L = 72.00 mm
W = 72.00 mm
H = 78.74 mm

- Designed for use in off-line AC/DC pre-regulators circuits for switching power converters applications.
- Low cores loss and high flux density.
- Auxiliary winding optional.

MECHANICAL SPECIFICATIONS



ELECTRICAL SPECIFICATIONS

FALCO PART NUMBER	RoHS PART NUMBER	Mounting / PCB LAYOUT	L (mm) max.	W (mm) max.	H (mm) max.	Auxiliary Winding / L1 Ratio	DCR(mΩ) ¹ max.	L (μH) ¹ min.	Freq. (KHz)	Volt. (V)	L1 ST - FN	AUX ST - FN	I @ 80%L (A DC)	I @ 65%L (A DC)	I @ 50%L (A DC)	I @ 30%L (A DC)
T23001		V / FIG.1*	69.85	60.96	78.74	---	60	384	1	0.25	3,4,5-12,11,10	---	20.66	33.81	46.96	75.13
	T23078**	V / FIG.2	72.00	72.00	72.00	---	29	405	1	1.00	2 - 5	---	21.90	35.80	49.80	79.50
T23010		H / FIG.3	71.12	71.12	66.04	---	48	663	1	0.25	1 - 2	---	17.11	28.00	38.89	62.22

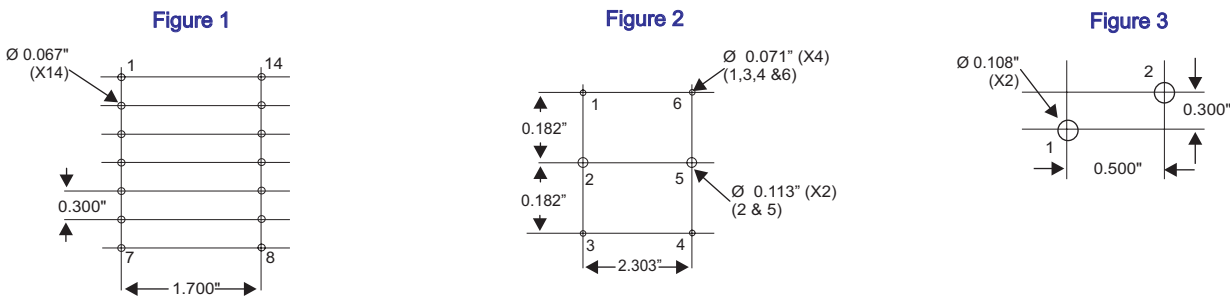
Contact FALCO for detailed specifications for P dimension.

*Mounting drawing is only for reference.

**Paper phenolic is used as base.

PCB LAYOUT SPECIFICATIONS

SUGGESTED PCB Layout (Top)



1. AMBIENT TEMPERATURE TEST AT 25°C



RoHS COMPLIANT PRODUCT