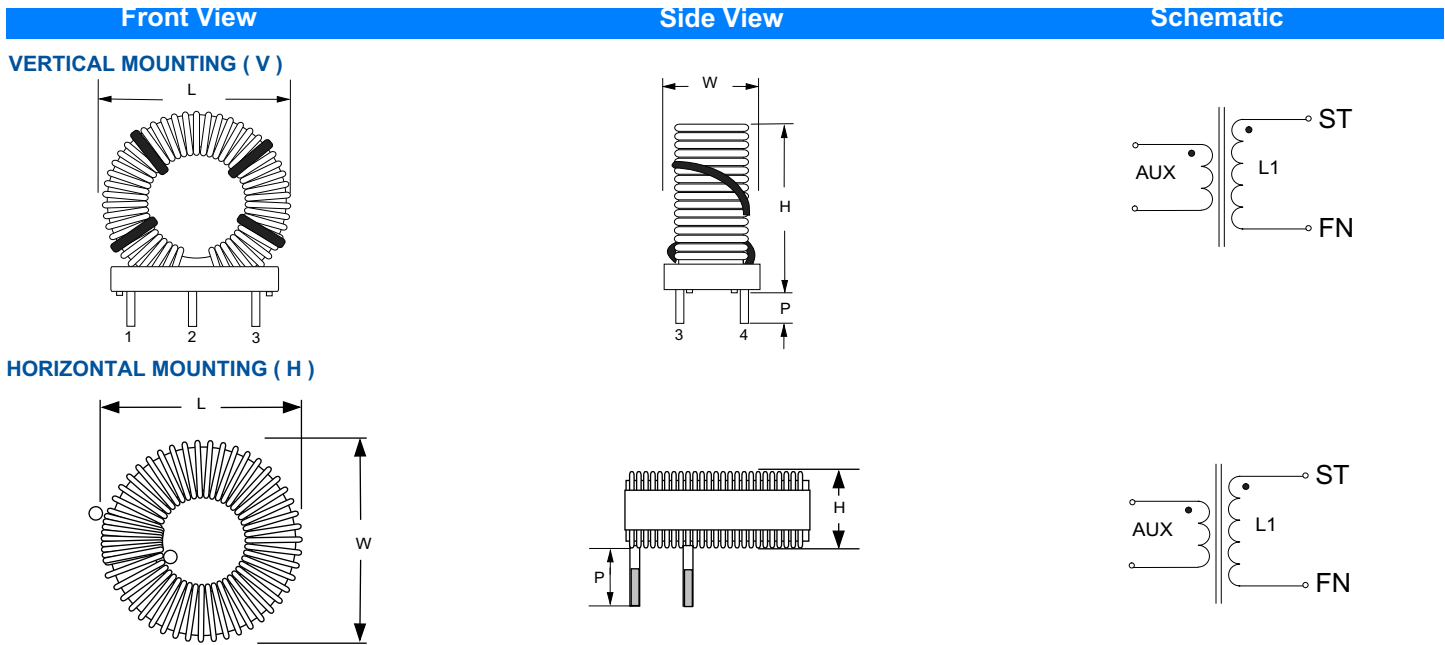


**[ T23-60X2 Series ]**



- Designed for use in off-line AC/-DC pre-regulators circuits for switching power converters applications.
- Low cores loss and high flux density.
- Auxiliary winding optional.

**MECHANICAL SPECIFICATIONS**



**ELECTRICAL SPECIFICATIONS**

FPN	Mounting / PCB LAYOUT	L (mm) max.	W (mm) max.	H (mm) max.	Auxiliary Winding / L Ratio	DCR ( mΩ ) <sup>1</sup> max.	L (μH) <sup>1,2</sup>	L1 ST - FN	AUX ST - FN	I @ 80%L (A DC)	I @ 65%L (A DC)	I @ 50%L (A DC)	I @ 30%L (A DC)
T23029	H / FIG.1	68.78	68.78	43.69	---	12	199	1 - 2	---	14.22	23.11	32.00	53.33
T22002	V / FIG.2	67.56	41.40	64.26	---	80	540	2 - 5	---	7.23	11.74	16.26	27.09
T22003	V / FIG.3	66.80	41.40	64.26	63:7	72	540	2 - 6	3 - 7	7.23	11.74	16.26	27.09

\*Contact FALCO for detailed specifications for P dimension

**PCB LAYOUT SPECIFICATIONS**

**SUGGESTED PCB Layout (Top)**

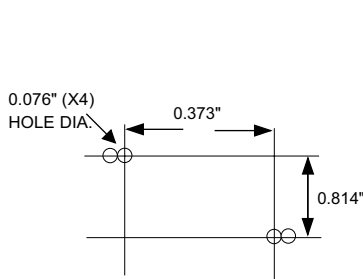


Figure 1

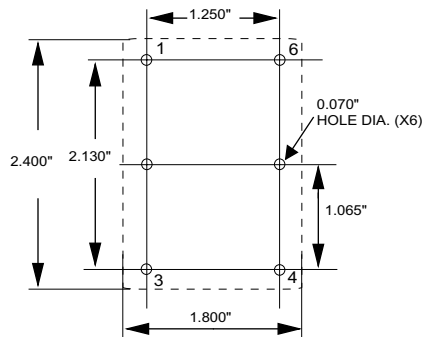


Figure 2

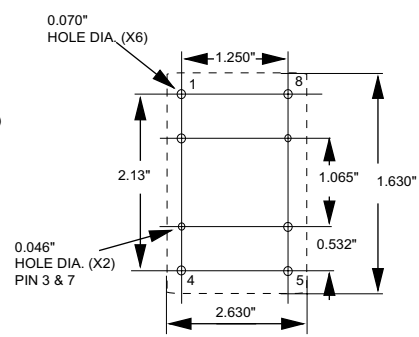


Figure 3

1. AMBIENT TEMPERATURE TEST AT 25°C
2. TEST AT 20KHz and 0.25V. MINIMUM INDUCTANCE