

Gate Drive 12.7 mm Toroid

POWER MAGNETICS

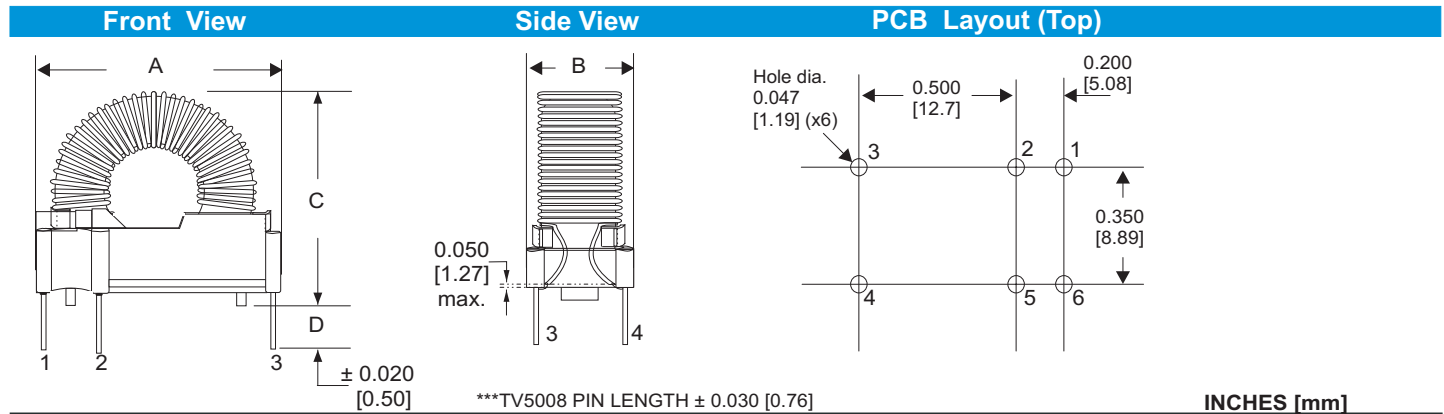
(BDT013 Series)



MAX. DIM :
L = 20.95 mm
W = 12.19 mm
H = 25.40 mm

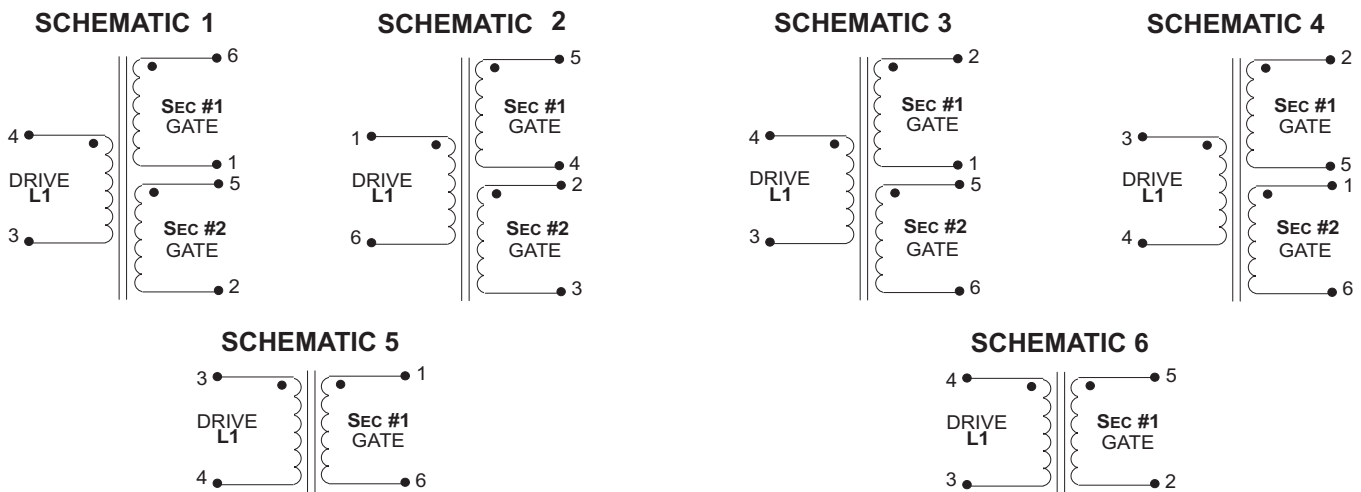
- Frequency range from 50 KHz to 300 KHz.
- Drive inductance from 0.222 mH to 3.52 mH
- Turns ratio of 1:1, 1:1.25, 1:1.5 or 1:2
- Leakage inductance less than 7 μ H.
- Meets UL, IEC & VDE safety standards.
- 3750 Volts isolation between gate & drive.

MECHANICAL SPECIFICATIONS



ELECTRICAL SPECIFICATIONS

FALCO PART NUMBER	RoHS PART NUMBER	L (mH) min.	Freq. (KHz)	Sec #1 lrms (amp) max.	Sec #2 lrms (amp) max.	Turns Ratio	Volts- μ sec	A max. in / mm	B max. in / mm	C max. in / mm	D nom. in / mm	Schematic
TV5009	TV5L09*	0.222	1.0	0.500	0.500	1:1.5:1.5	65.0	0.815 / 20.70	0.465 / 11.81	0.930 / 23.62	0.150 / 3.81	3
	TV5008***	0.460	1.0	0.500	0.500	1:1:1	95.0	0.820 / 20.83	0.480 / 12.19	0.930 / 23.62	0.165 / 4.19	1
	TV5012	0.460	1.0	0.500	0.500	1:1:1	95.0	0.820 / 20.83	0.480 / 12.19	0.709 / 18.00	0.150 / 3.81	1
TV5B58	TV5L58	0.534	1.0	0.500	0.500	1:1:1	95.0	0.815 / 20.70	0.465 / 11.81	0.900 / 22.86	0.150 / 3.81	1
TV5006	TV5L06	0.534	1.0	0.500	0.500	1:1:1	95.0	0.815 / 20.70	0.465 / 11.81	0.900 / 22.86	0.150 / 3.81	3
T50016		0.534	10.0	0.500	0.500	1:1:1	95.0	0.815 / 20.70	0.465 / 11.81	0.900 / 22.86	0.170 / 4.32	1
	TV5L10	0.685	1.0	0.500	0.500	1:2:2	115.0	0.815 / 20.70	0.465 / 11.81	0.930 / 23.62	0.150 / 3.81	2
TV5011	TV5L11	0.685	1.0	0.500	0.500	1:2:2	115.0	0.815 / 20.70	0.465 / 11.81	0.930 / 23.62	0.150 / 3.81	1
	TV5001	2.800	20.0	---	---	1:1.25:1.25	210.0	0.815 / 20.70	0.465 / 11.81	0.900 / 22.86	0.150 / 3.81	1
	TV5013	2.800	20.0	---	---	1:1.25	210.0	0.825 / 20.95	0.475 / 12.06	0.900 / 22.86	0.150 / 3.81	6
TV5007**		3.520	20.0	0.250	0.250	1:1.25:1.25	300.0	0.820 / 20.83	0.470 / 11.94	1.00 / 25.40	0.160 / 4.06	4
	TV5L07	3.520	20.0	0.250	0.250	1:1.25:1.25	300.0	0.820 / 20.83	0.470 / 11.94	1.00 / 25.40	0.160 / 4.06	1
TV5002		3.520	10.0	---	---	1:1	230.0	0.820 / 20.83	0.470 / 11.94	1.00 / 25.40	0.160 / 4.06	5



1. Inductance L tested at 0.25 V. *Tested at 0.1V (100KHz). ** Tested at 0.5V.
 2. All turns ratios are available up to 5 windings.



RoHS COMPLIANT PRODUCT