

# Common Mode Choke UT20 - Vertical

POWER MAGNETICS



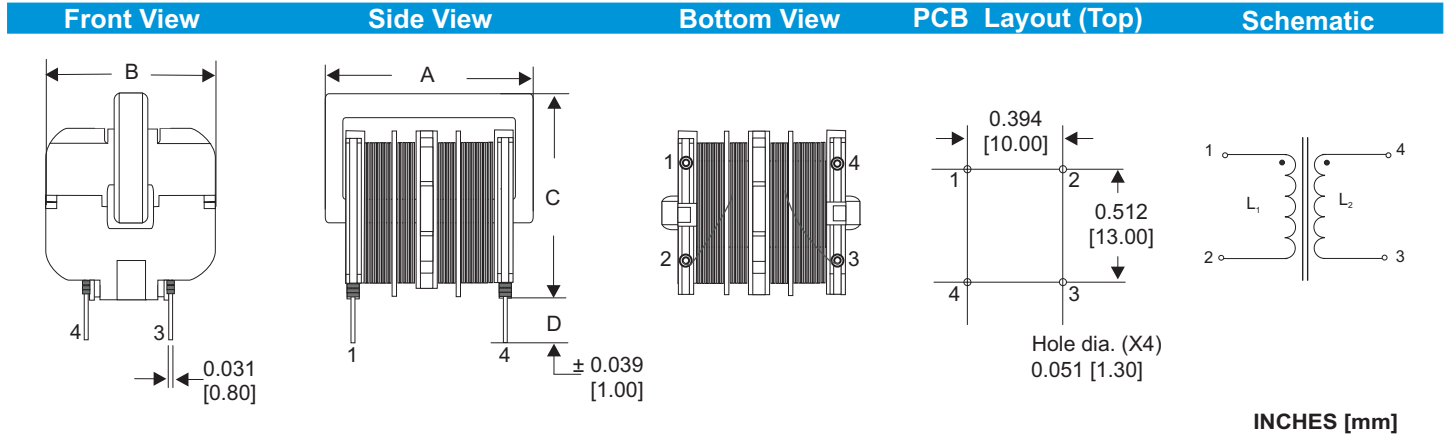
( CMU2014SQ-V Series )



**MAX. DIM :**  
**L = 22.00 mm**  
**W = 16.00 mm**  
**H = 22.50 mm**

- EMI filter for noise suppression in SMPS.
- High self resonance frequency.
- Current Rating up to 2.0 A.
- Small size & high impedance at high frequencies.
- Construction provides 3 mm creepage between coils.
- Dielectric strength of 1800 Vrms between windings.

## MECHANICAL SPECIFICATIONS



## ELECTRICAL SPECIFICATIONS

### MEDIUM Z RANGE - UT20 7K

RoHS PART NUMBER	L(mH) <sup>1</sup> min.	Freq. (KHz)	\L(μH) <sup>2</sup> max.	DCR (Ω) max.	I <sub>rms</sub> (Amp) <sup>3</sup> max.	SRF ( KHz ) typ.	A max. In / mm	B max. In / mm	C max. In / mm	D nom. In / mm
U20036	1.00	1.0	50.0	0.2000	2.00	---	0.866 / 22.00	0.630 / 16.00	0.886 / 22.50	0.138 / 3.50
U20035	2.00	1.0	50.0	0.2000	1.50	---	0.866 / 22.00	0.630 / 16.00	0.886 / 22.50	0.138 / 3.50
U20034	2.50	1.0	50.0	0.3000	1.30	---	0.866 / 22.00	0.630 / 16.00	0.886 / 22.50	0.138 / 3.50
U20033	4.00	1.0	100.0	0.5000	1.00	---	0.866 / 22.00	0.630 / 16.00	0.886 / 22.50	0.138 / 3.50
U20032	6.80	1.0	150.0	0.9000	0.80	---	0.866 / 22.00	0.630 / 16.00	0.886 / 22.50	0.138 / 3.50
U20026	10.00	1.0	200.0	1.1000	0.70	---	0.866 / 22.00	0.630 / 16.00	0.886 / 22.50	0.138 / 3.50
U20029	12.00	1.0	250.0	1.5000	0.60	---	0.866 / 22.00	0.630 / 16.00	0.886 / 22.50	0.138 / 3.50
U20031	18.00	1.0	350.0	2.0000	0.50	---	0.866 / 22.00	0.630 / 16.00	0.886 / 22.50	0.138 / 3.50
U20009	25.00	1.0	500.0	2.9000	0.40	---	0.866 / 22.00	0.630 / 16.00	0.886 / 22.50	0.138 / 3.50
U20030	33.00	1.0	700.0	4.2000	0.30	---	0.866 / 22.00	0.630 / 16.00	0.886 / 22.50	0.138 / 3.50

1. Inductance L tested at 0.25 V.  
 2. Inductance Difference tested at 1 KHz & 0.25 V.  
 3. Temperature rise is 45°C Max. at I<sub>rms</sub>.  
 4. Operating Temp. range -25°C to +105°C.  
 5. L and DCR tested at Ta= 25°C.



RoHS COMPLIANT PRODUCT