

# Power Inductor 18 mm OD Drum Core (PID01820 Series)

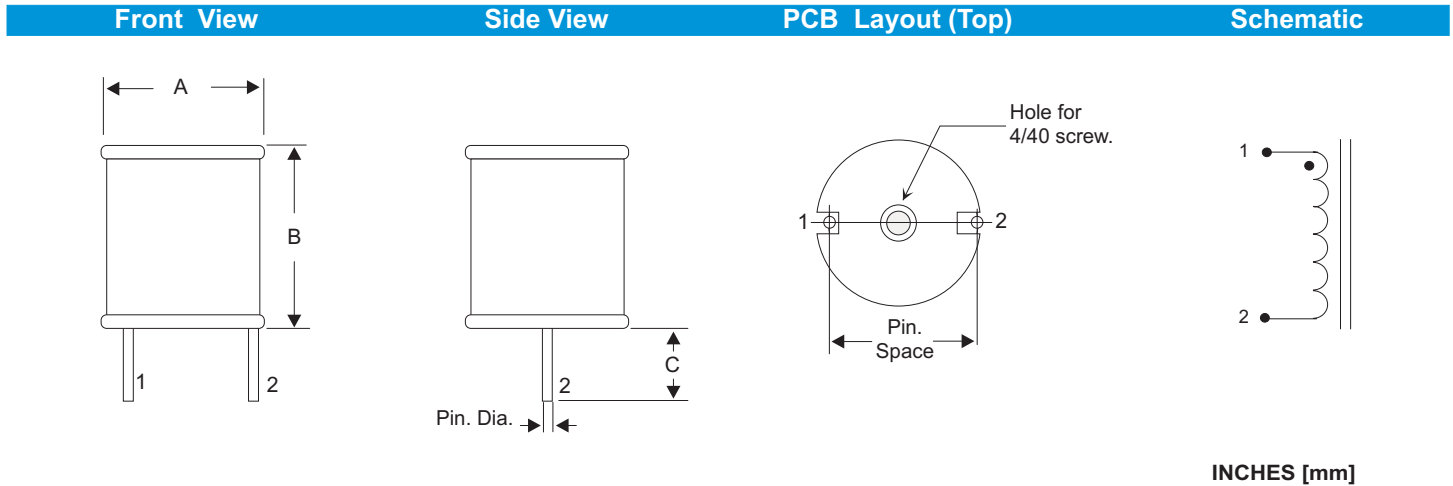
POWER MAGNETICS



**MAX. DIM :**  
**L = 21.21 mm**  
**W = 21.21 mm**  
**H = 22.86 mm**

- Used as output choke in switch mode power supplies, switching regulators and audio filters.
- Handle up to 13 Amps.
- Inductance from 5.5  $\mu$ H to 38  $\mu$ H.
- Complies with UL, CSA, IEC standards.

## MECHANICAL SPECIFICATIONS



## ELECTRICAL SPECIFICATIONS

FALCO PART NUMBER	RoHS PART NUMBER	L( $\mu$ H) <sup>1</sup>	TOL	Freq. (KHz)	DCR ( $\Omega$ ) max.	Isat (ADC) <sup>2</sup> typ.	I <sub>rms</sub> (amp) <sup>3</sup> max.	A max. in / mm	B max. in / mm	C min. in / mm	Pin dia. in / mm	Pin space in / mm
D18002	D18L02	11.00	$\pm 10\%$	1.0	0.0100	35.00	7.50	0.770 / 19.56	0.900 / 22.86	0.200 / 5.08	0.041 / 1.04	0.575 / 14.60
D18010*		8.40	$\pm 15\%$	1.0	0.0056	42.00	12.00	0.835 / 21.21	0.900 / 22.86	0.470 / 11.94	0.074 / 1.88	0.620 / 15.75

1. Inductance L tested at 0.25 V. \*Tested at 0.10 V.  
 2. Inductance drop 10% typ. at Isat.  
 3. Temperature rise is 40°C Typ at rated current.  
 4. L and DCR tested at Ta= 25°C.



RoHS COMPLIANT PRODUCT