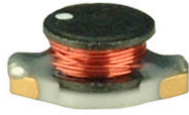


# Power Inductors Unshielded-SMT Drum 4 x 2mm

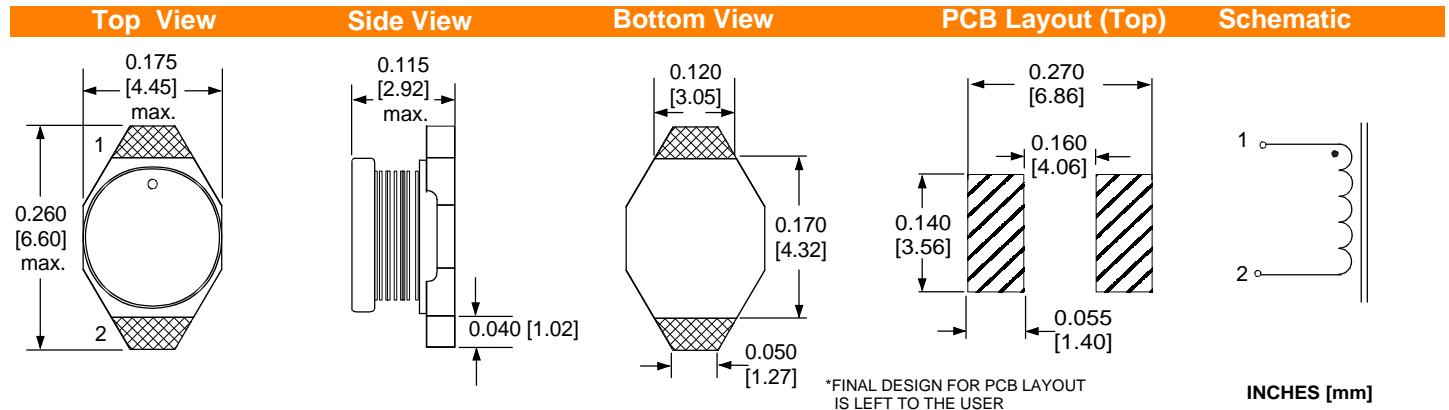
POWER INDUCTORS (SDIP0302 Series)



**MAX. DIM :**  
**L = 6.60 mm**  
**W = 4.45 mm**  
**H = 2.92 mm**

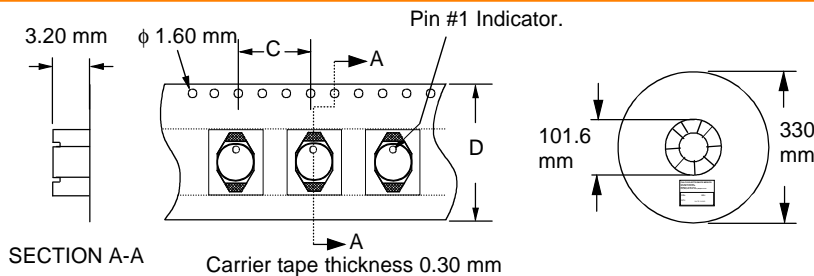
- Used in high frequency DC/DC converters.
- Low profile design.
- Low DC resistance
- Current rating up to 4.3 Amps.
- Open construction provides stable inductance for increasing currents.
- Inductance range from 1.0μH to 2200 μH.
- Energy storage limit of 8 μJ.
- Tape & Reel : 2500 pcs/Reel, 5 Reels/Box.

## MECHANICAL SPECIFICATIONS



## Packaging Information

## Tape & Reel



ITEM	DESCRIPTION	QTY.
A	QTY. PER REEL	2500
B	QTY. PER BOX	12500
C	PITCH	8 mm
D	TAPE WIDTH	16 mm

See tape and reel information 125-002

## ELECTRICAL SPECIFICATIONS

FALCO PART NUMBER	RoHS PART NUMBER	OCL(μH) <sup>1</sup> ± 20%	DCR (W max)	I rating <sup>2</sup> (Amp)	I sat <sup>3</sup> (Amp)
D03005		1.0	0.042	4.00	4.00
D03001		1.5	0.050	3.27	3.27
D03006	D03L06	2.2	0.070	2.50	2.70
D03007		3.3	0.072	2.20	2.20
D03003	D03L03	4.7	0.100	1.85	1.85
D03008	D03L08	6.8	0.150	1.45	1.53
D03002	D03L02	10	0.160	1.26	1.26
D03009		15	0.264	1.03	1.03
D03014		18	0.350	0.94	0.94
D03010		22	0.370	0.82	0.85
D03004		47	0.690	0.52	0.58
D03011		100	1.400	0.30	0.40
D03019		200	3.000	0.20	0.26
D03017		220	3.110	0.20	0.25

Continue on next page...

Continuation...

**ELECTRICAL SPECIFICATIONS**

FALCO PART NUMBER	RoHS PART NUMBER	OCL( $\mu$ H) <sup>1</sup> $\pm 20\%$	DCR (W max)	I rating <sup>2</sup> (Amp)	I sat <sup>3</sup> (Amp)
D03012		470	5.600	0.16	0.16
D03018		1000	13.800	0.08	0.12
D03013		2200	35.600	*0.09	0.08

1. Inductance tested at 100 KHz , 100 mV.
2. Temperature rise is 15°C Typ.,(\*Temperature rise is 40°C Typ.)
3. Inductance drop 10% Typ. at Isat.
4. Operating Temp. range -40° to +85°C.
5. OCL and DCR tested at Ta= 25°C.



RoHS COMPLIANT PRODUCT

**Inductance vs Current**

