

# Power Inductors Unshielded-SMT Drum 13 x 5 mm

POWER INDUCTORS

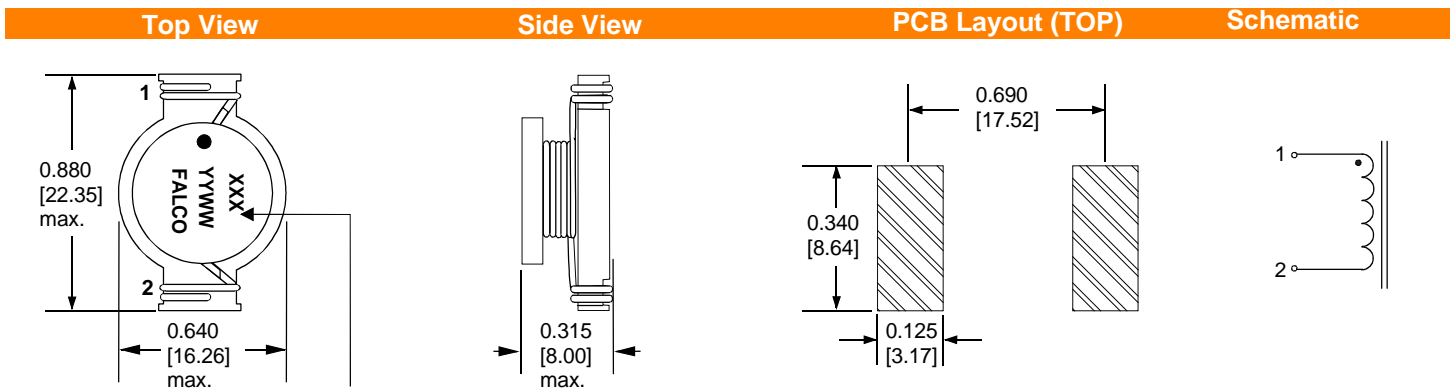
(SDIP1306HC Series)



**MAX. DIM :**  
**L = 22.35 mm**  
**W= 16.26 mm**  
**H = 8.00 mm**

- Used in high frequency DC/DC converters.
- Large rating current.
- Robust base for reflow soldering.
- Open construction provides stable inductance for increasing currents.
- Inductance range from 0.47  $\mu$ H to 15  $\mu$ H.
- Energy storage limit of 500  $\mu$ J.
- Tape & Reel : 250 pcs/Reel, 6 Reels/Box.

## MECHANICAL SPECIFICATIONS

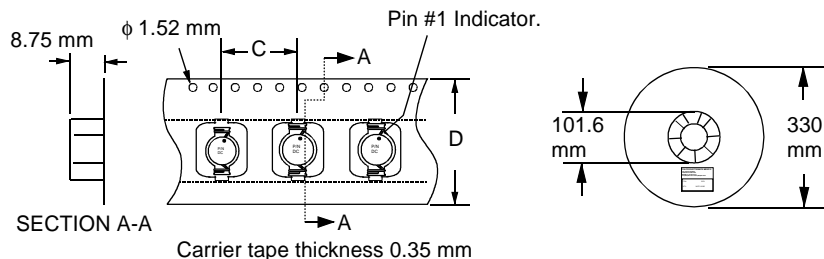


Marking Inductance Value / Add "L" letter for RoHS parts

INCHES [mm]

## Packaging Information

Tape & Reel



ITEM	DESCRIPTION	QTY.
A	QTY. PER REEL	250
B	QTY. PER BOX	1500
C	PITCH	24 mm
D	TAPE WIDTH	44 mm

See tape and reel information 42-007

## ELECTRICAL SPECIFICATIONS

FALCO PART NUMBER	RoHS PART NUMBER	OCL ( $\mu$ H) <sup>1</sup> $\pm 20\%$	DCR (m $\Omega$ ) (max)	I rating <sup>2</sup> (Amp)	I sat <sup>3</sup> (Amp)
D13013		0.470	1.90	19.2	44.0
D13014		0.910	2.60	17.0	32.0
D13015		1.5	4.00	15.0	25.0
D13016	D13L16	2.2	4.80	12.0	20.0
D13017	D13L17	3.0	7.68	10.0	17.0
D13018		3.9	8.76	9.0	15.0
D13019	D13L19	4.5	9.30	8.4	13.0
D13020		6.0	13.00	8.0	12.0
D13021		6.8	14.30	7.5	11.5
D13022		7.8	16.00	7.5	11.0
D13023		10	20.70	6.0	10.2
D13024		15	32.00	4.4	8.0

1. Inductance tested at 100 KHz & 0.25 V, (0 ADC).
2. Temperature rise is 40°C Typ.
3. Inductance drop 10% Typ. at Isat.
4. Operating Temp. range -40°C to +85°C.
5. OCL and DCR tested at Ta= 25°C.



RoHS COMPLIANT PRODUCT

# Power Inductors Unshielded-SMT Drum 13 x 5 mm

## Inductance vs Current (SDIP1306HC Series)

