

# Power Inductors Shielded-SMT Square 10 x 10 mm

POWER INDUCTORS

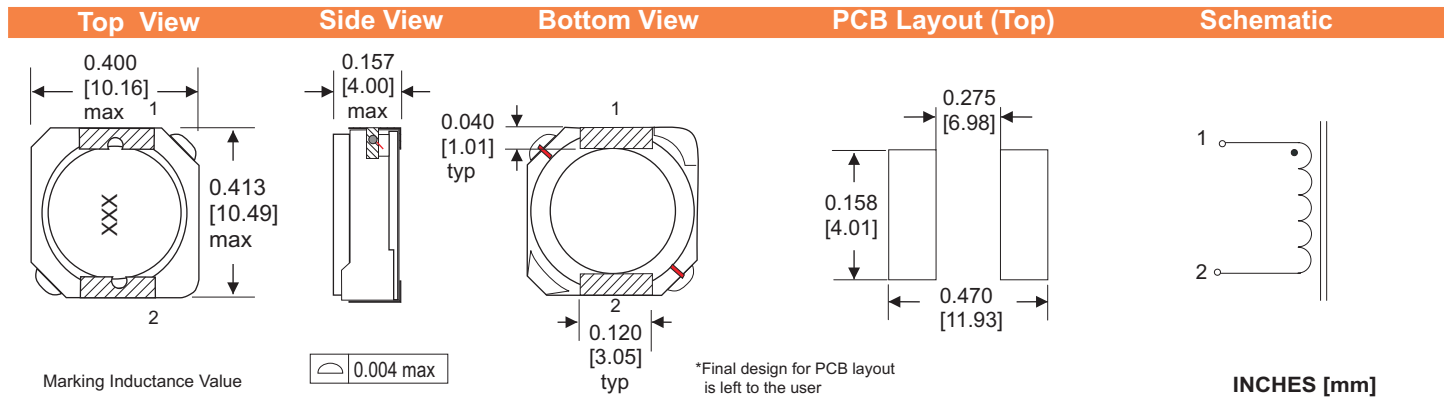
[ SQ1004 Series ]



**MAX. DIM :**  
**L = 10.49 mm**  
**W = 10.16 mm**  
**H = 4.00 mm**

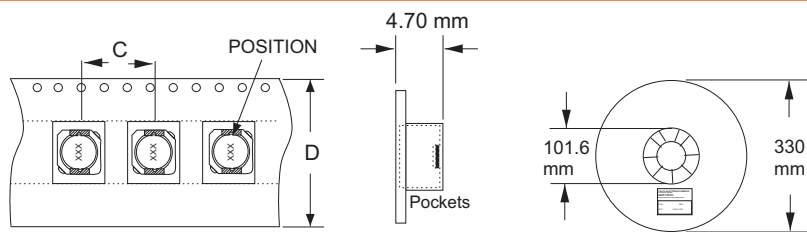
- For use in buck, boost and forward DC/DC converters and AC adapters in laptops, PDA's and others electronics applications.
- Magnetically shielded for low EMI radiation.
- Inductance range from 1.8  $\mu$ H to 15mH.
- Energy storage limit of 80  $\mu$ J.
- Surface mounting.
- Tape & Reel : 650 pcs/Reel, 5 Reels/Box.

## MECHANICAL SPECIFICATIONS



## Packaging Information

## Tape & Reel



ITEM	DESCRIPTION	QTY.
A	QTY. PER REEL	650
B	QTY. PER BOX	3250
C	PITCH	16 mm
D	TAPE WIDTH	24 mm

See tape and reel information 63-007

## ELECTRICAL SPECIFICATIONS

FALCO PART NUMBER	RoHS PART NUMBER	OCL( $\mu$ H) <sup>1</sup> $\pm 25\%$	DCR ( $\Omega$ max)	I rating <sup>2</sup> (Amp)	I sat <sup>3</sup> (Amp)
SQ1010		1.8	0.008	10.000	12.000
SQ1001	SQL001	2.7	0.010	7.500	8.800
SQ1002		3.5	0.015	6.000	7.800
SQ1003	SQL003	5.2	0.022	5.500	6.200
SQ1004	SQL004	7.0	0.028	4.800	5.000
SQ1005	SQ1L05	10	0.035	4.000	4.000
SQ1006		15	0.053	3.500	3.500
SQ1007	SQL007	22	0.075	2.500	2.500
	*SQ1011	47	0.162	2.100	2.100
SQ1008		68	0.240	1.500	1.700
SQ1009	SQL009	100	0.340	1.350	1.400
SQ1013		330	1.100	0.700	0.770
	SQL016	470	1.500	0.604	0.660
	SQL017	5000	15.600	0.188	0.200
	SQL018	10000	33.000	0.135	0.145
	SQL019	15000	54.000	0.110	0.120

1. Inductance tested at 100 KHz 0.25 V.
2. The value of DC current at which inductance is 15% lower than its initial value or temperature rises 40°C, whichever is lower.
3. Inductance drops 15% Typ. at Isat. \*20% Typ. at Isat.
4. Operating Temp. range -40°C to +85°C.
5. OCL and DCR tested at Ta= 25°C.



RoHS COMPLIANT PRODUCT

# Power Inductors Shielded-SMT Square 10 x 10 mm

## Inductance vs Current

( SQ1004 Series )

