

Power Inductors Shielded-SMT Square 5.7 x 5.7 mm

POWER INDUCTORS

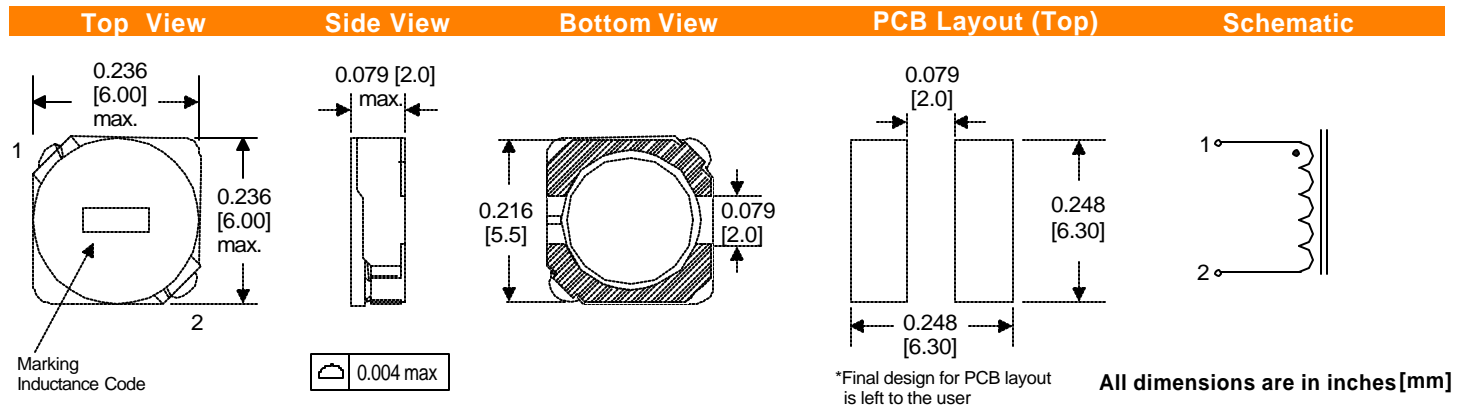
(SQ5702 Series)



MAX. DIM :
L = 6.0 mm
W = 6.0 mm
H = 2.0 mm

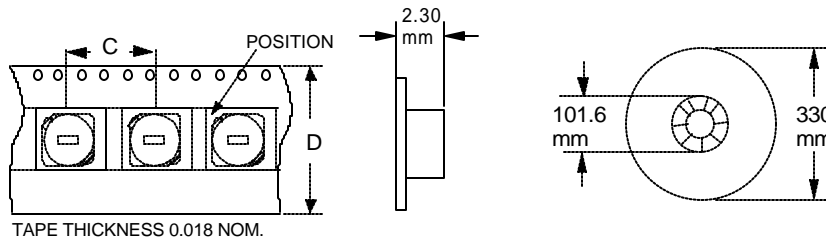
- For use in PDA's and others electronics applications.
- Magnetic shielding.
- Inductance range from 5.4 礪 to 100 礪 and up to 1.60 A current.
- Surface mounting.
- Energy storage limit of 8.5 礪
- Tape & Reel: 3000 pcs/Reel

MECHANICAL SPECIFICATIONS



Packaging Information

Tape & Reel



| DESCRIPTION | QTY. |
|---------------|-------|
| QTY. PER REEL | 3000 |
| QTY. PER BOX | 15000 |
| PITCH (C) | 8mm |
| WIDTH (D) | 12mm |

See tape and reel information 125-005

ELECTRICAL SPECIFICATIONS

| FALCO PART NUMBER | RoHS PART NUMBER | OCL(礪) ¹ ?30% | DCR (mW) max | I max ² (ADC) | I sat ³ (ADC) | Inductance Code | |
|-------------------|------------------|-----------------------------|--------------|--------------------------|--------------------------|-----------------|------|
| | | | | | | Standard | RoHS |
| | SQ6211 | 5.4 | 76 | 1.600 | 1.050 | | 5.4L |
| SQ6210 | | 8.2 | 120 | 1.250 | 0.890 | 8R2 | |
| SQ6203 | | 10 | 125 | 1.200 | 0.828 | 100 | |
| SQ6209 | | 12 | 153 | 1.100 | 0.730 | 120 | |
| SQ6202 | | 15 | 190 | 0.970 | 0.650 | 150 | |
| SQ6204 | | 22 | 290 | 0.800 | 0.560 | 220 | |
| SQ6205 | | 33 | 385 | 0.650 | 0.450 | 330 | |
| SQ6201 | | 47 | 590 | 0.540 | 0.381 | 470 | |
| SQ6206 | | 56 | 660 | 0.500 | 0.350 | 560 | |
| SQ6207 | | 100 | 1200 | 0.360 | 0.260 | 101 | |



RoHS COMPLIANT PRODUCT

1. Inductance tested at 100 KHz 0.25 V.
2. The value of DC current at which inductance is 35% lower than its initial value or temperature rises 30 礪, whichever is lower.
3. Inductance drop 10% Typ. at Isat.
4. Operating Temp. range -40 礪 to +85 礪.
5. Storage Temp. range -40 礪 to +85 礪
6. OCL and DCR tested at Ta= 25 礪.

Inductance vs Current

