

Power Inductors Shielded - THT Toroidal 13 mm

POWER INDUCTORS



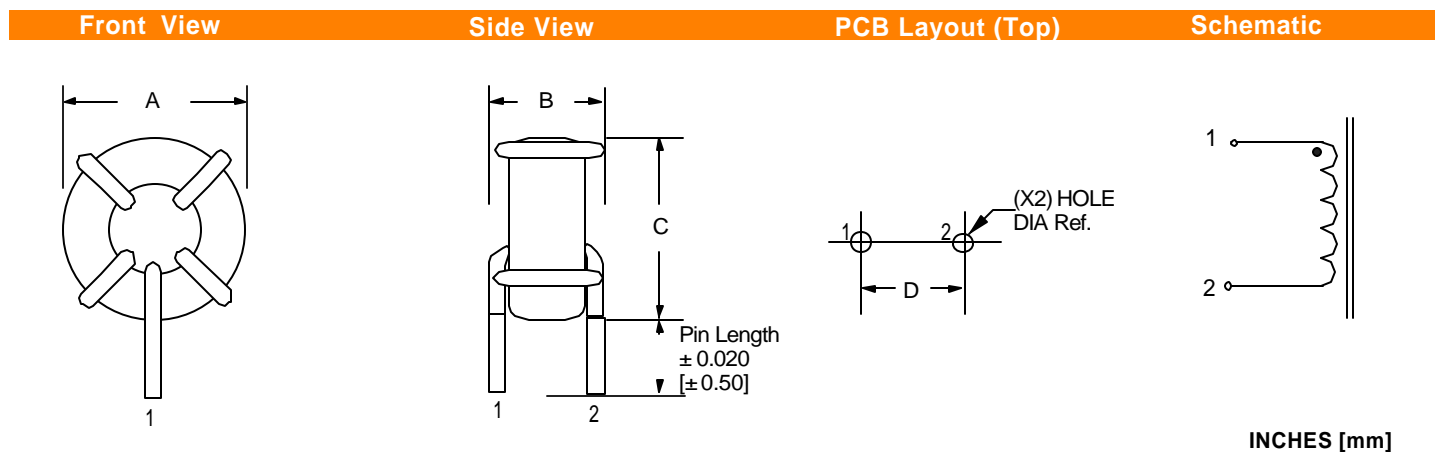
(T53-1305 Series)



MAX. DIM :
L = 16.00 mm
W = 7.87 mm
H = 15.24 mm

- For use in high frequency DC/DC converters.
- Low radiation.
- Low core loss
- Current handling up to 20 Amps.
- Energy storage of 235 μ J.

MECHANICAL SPECIFICATIONS



ELECTRICAL SPECIFICATIONS

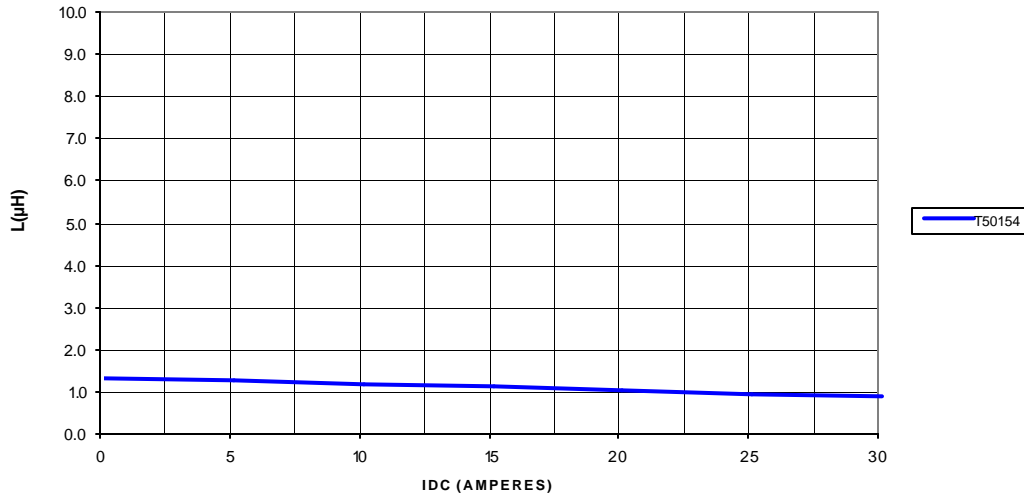
FALCO PART NUMBER	OCL(μ H) ¹	TOL	DCR (W max)	I rating ² (Amp)	A max. in / mm	B max. in / mm	C max. in / mm	D Ref. in / mm	Pin Length in / mm	Hole Dia. in / mm
*T50154	1.176 \pm 20%		0.00138	20.00	0.630 / 16.00	0.310 / 7.87	0.600 / 15.24	0.400 / 10.16	0.190 / 4.83	0.090 / 2.29

* Part is trifilar wound

1. Inductance tested at 100 KHz 0.25 V.
2. Temperature rise is 40°C Typ.
3. Operating Temp. range -40° to +85°C.

Inductance vs Current

INDUCTANCE vs CURRENT



TEMPERATURE RISE vs CURRENT

