

Power Inductors Shielded - THT Toroidal 13 mm

POWER INDUCTORS

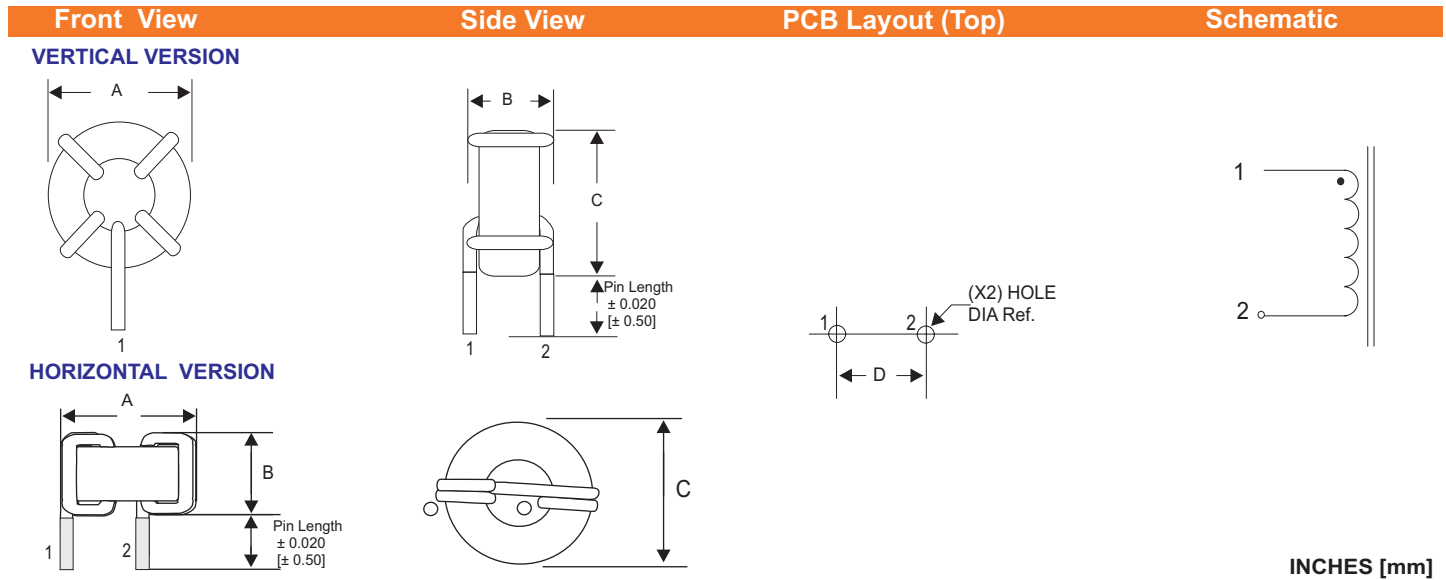
(TTIC1305 Series)



MAX. DIM :
L = 19.00 mm
W= 10.16 mm
H = 18.00 mm

- For use in high frequency DC/DC converters.
- Low radiation.
- Low core loss
- Current handling up to 25 Amps.
- Energy storage of 242 μ J.

MECHANICAL SPECIFICATIONS



ELECTRICAL SPECIFICATIONS

VERTICAL VERSION

FALCO PART NUMBER	RoHS PART NUMBER	OCL (μ H) ¹	TOL	Freq. (KHz)	DCR (Ω max)	I rating ² (Amp)	A max. in / mm	B max. in / mm	C max. in / mm	D Ref. in / mm	Pin Length in/mm	Hole Dia. in / mm
T50049	T5L049	0.600	$\pm 15\%$	100	0.00123	25.00	0.728 / 18.50	0.400 / 10.16	0.551 / 14.00	0.360 / 9.15	0.150 / 3.80	0.075 / 1.90
	T50243*	1.500	$\pm 20\%$	1	0.00260	19.00	0.669 / 17.00	0.354 / 9.00	0.669 / 17.00	0.276 / 7.00	0.157 / 4.00	0.073 / 1.86
	T50190	1.500	$\pm 20\%$	100	0.00300	21.00	0.748 / 19.00	0.354 / 9.00	0.630 / 16.00	0.276 / 7.00	0.134 / 3.40	0.062 / 1.57
	T50107	1.500	$\pm 20\%$	1	0.00500	15.00	0.709 / 18.00	0.354 / 9.00	0.709 / 18.00	0.256 / 6.50	0.134 / 3.40	0.052 / 1.30
	T50156	1.940	$\pm 20\%$	200	0.00400	15.00	0.669 / 17.00	0.315 / 8.00	0.669 / 17.00	0.276 / 7.00	0.157 / 4.00	0.079 / 2.00

T50243 & T50156 are trifilar wound.

HORIZONTAL VERSION

FALCO PART NUMBER	RoHS PART NUMBER	OCL (μ H) ¹	TOL	Freq. (KHz)	DCR (Ω max)	I rating ² (Amp)	A max. in / mm	B max. in / mm	C max. in / mm	D Ref. in / mm	Pin Length in/mm	Hole Dia. in / mm
T50A49		0.600	$\pm 15\%$	100	0.00125	25.00	0.689 / 17.50	0.393 / 10.00	0.532 / 13.50	0.350 / 8.90	0.150 / 3.80	0.075 / 1.90

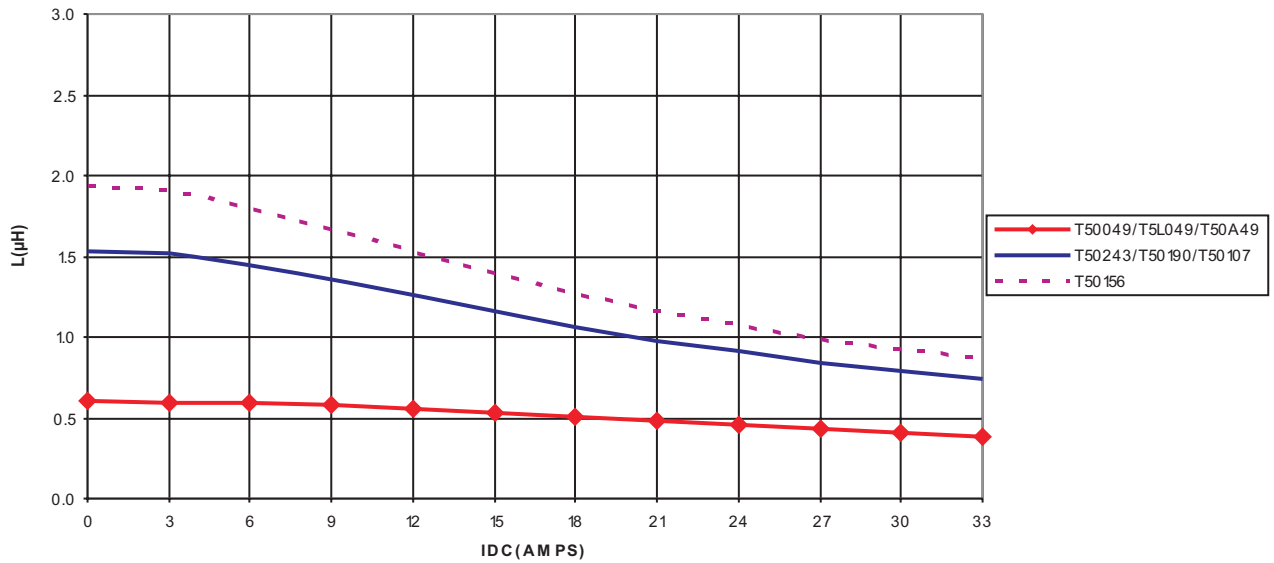
1. Inductance tested at 0.25 V. * Tested at 1.0 V.
2. Temperature rise is 50°C Typ.
3. Operating Temp. range -40° to +105°C.



RoHS COMPLIANT PRODUCT

Inductance vs Current

INDUCTANCE vs CURRENT



TEMPERATURE RISE vs CURRENT

