

Power Inductors Shielded - THT Toroidal 13 mm

POWER INDUCTORS

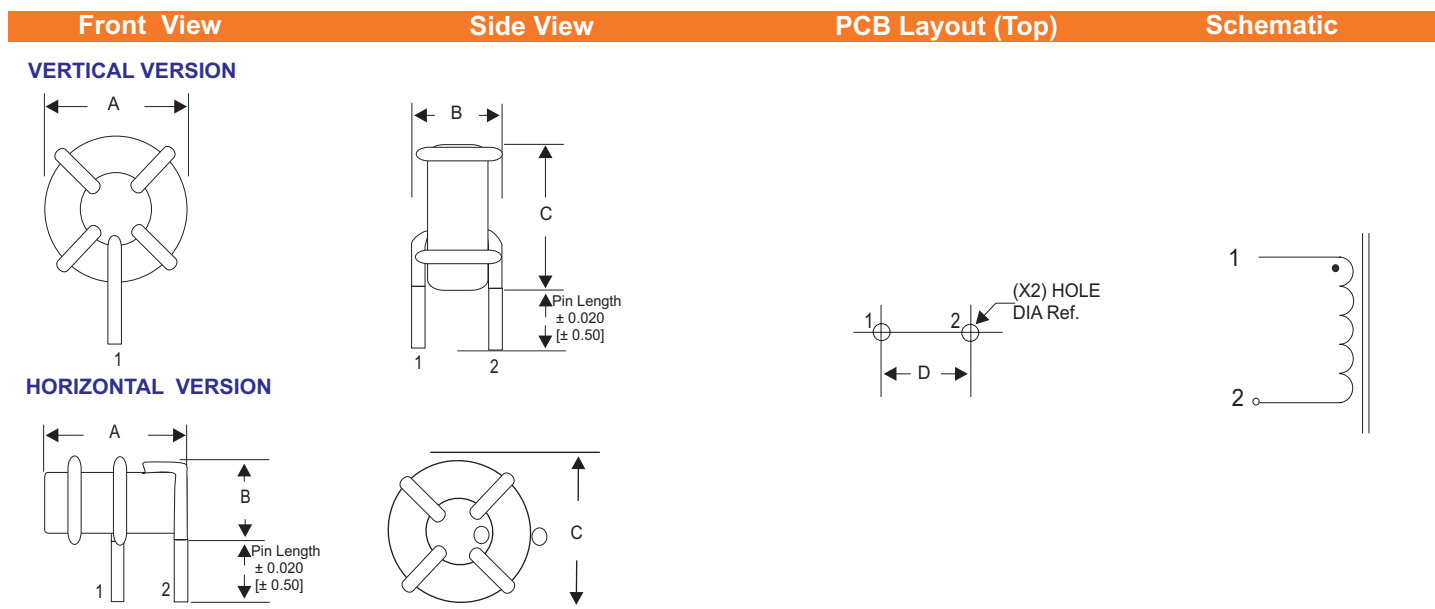
(TTID1305 Series)



MAX. DIM :
L = 18.20 mm
W = 9.52 mm
H = 16.00 mm

- For use in high frequency DC/DC converters.
- Low radiation.
- Low core loss
- Current handling up to 18 Amps.
- Energy storage of 85 μ J.

MECHANICAL SPECIFICATIONS



T50A72 PIN TOL. ± 0.030 [± 0.76 mm]

INCHES [mm]

ELECTRICAL SPECIFICATIONS

VERTICAL VERSION

FALCO PART NUMBER	RoHS PART NUMBER	OCL (μ H) ¹	TOL	FREQ. (KHz)	DCR (Ω max)	I rating ² (Amp)	A max. in / mm	B max. in / mm	C max. in / mm	D Ref. in / mm	Pin Length in / mm	Hole Dia. in / mm
T50004		0.528 $\pm 12\%$		100.0	0.00300	18.00	0.650 / 16.51	0.375 / 9.52	0.600 / 15.24	0.290 / 7.37	0.250 / 6.35	0.052 / 1.32
	*T50050	1.610 $\pm 17\%$		300.0	0.00325	18.00	0.633 / 16.08	0.323 / 8.20	0.575 / 14.60	0.276 / 7.01	0.142 / 3.60	0.069 / 1.75
	**T50121	2.500 $\pm 20\%$		200.0	0.00280	8.00	0.709 / 18.00	0.354 / 9.00	0.630 / 16.00	0.276 / 7.01	0.157 / 4.00	0.056 / 1.42
	**T50051	2.670 $\pm 20\%$		10.0	0.00400	13.00	0.716 / 18.20	0.362 / 9.20	0.630 / 16.00	0.335 / 8.50	0.134 / 3.40	0.069 / 1.75
	T50242	3.990 $\pm 12\%$		100.0	0.00600	10.00	0.630 / 16.00	0.315 / 8.00	0.575 / 14.60	0.260 / 6.60	0.118 / 3.00	0.050 / 1.27

HORIZONTAL VERSION

FALCO PART NUMBER	RoHS PART NUMBER	OCL (μ H) ¹	TOL	FREQ. (KHz)	DCR (Ω max)	I rating ² (Amp)	A max. in / mm	B max. in / mm	C max. in / mm	D Ref. in / mm	Pin Length in / mm	Hole Dia. in / mm
	*T50C50	1.610 $\pm 17\%$		300.0	0.00325	18.00	0.669 / 17.00	0.315 / 8.00	0.669 / 17.00	0.295 / 7.50	0.142 / 3.60	0.069 / 1.75
T50A72		4.750 $\pm 15\%$		10.0	0.00600	10.00	0.660 / 16.76	0.330 / 8.38	0.650 / 16.51	0.200 / 5.08	0.150 / 3.81	0.052 / 1.32

* T50050 & T50C50 are trifilar wound.

1. Inductance tested at 0.25 V. **Tested at 1.0 V.
2. Temperature rise is 40°C Typ.
3. Operating Temp. range -40° to +105°C.



RoHS COMPLIANT PRODUCT

Power Inductors Shielded - THT Toroidal 13 mm (TTID1305 Series)

Inductance vs Current

