

Power Inductors Shielded - THT Toroidal 15 mm

POWER INDUCTORS

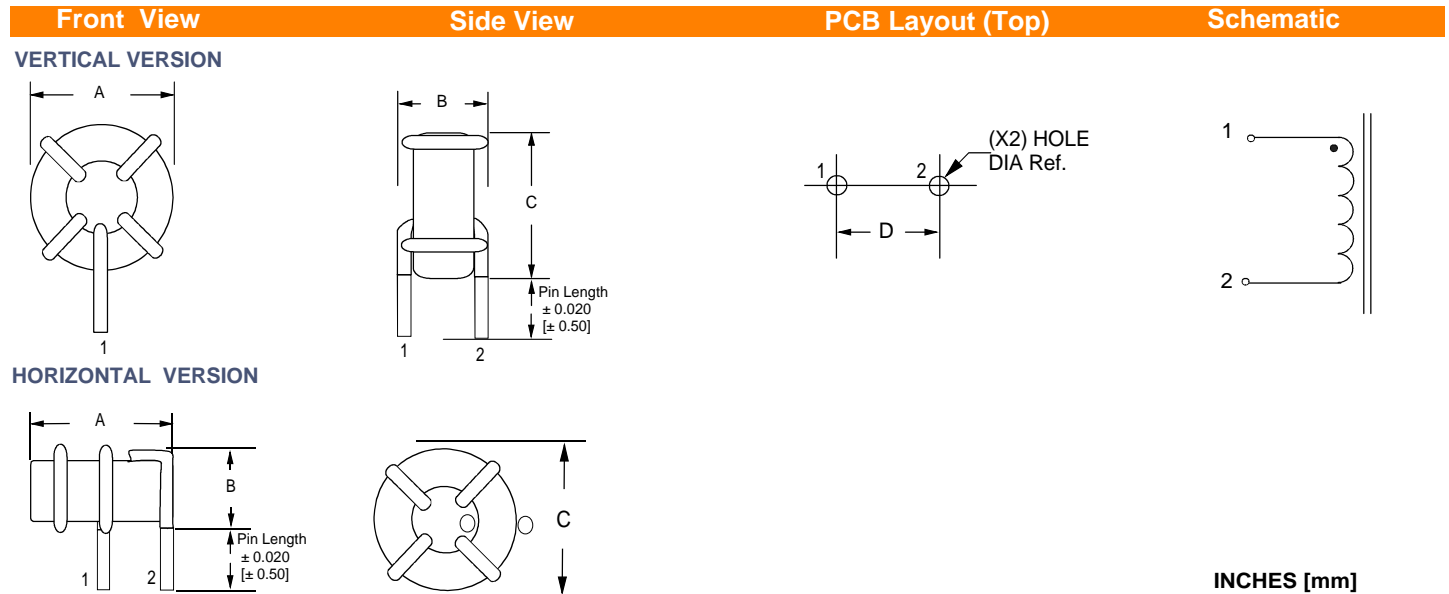
(TTID1506 Series)



MAX. DIM :
L = 20.70 mm
W = 10.54 mm
H = 20.00 mm

- For use in high frequency DC/DC converters.
- Low radiation.
- Low core loss
- Current handling up to 23 Amps.
- Energy storage of 795 μ J.

MECHANICAL SPECIFICATIONS



ELECTRICAL SPECIFICATIONS

VERTICAL VERSION

FALCO PART NUMBER	RoHS PART NUMBER	OCL(μ H) ¹	TOL	DCR (W max)	I rating ² (Amp)	A max. in / mm	B max. in / mm	C max. in / mm	D Ref. in / mm	Pin Length in / mm	Hole Dia. in / mm
T60021		3.000	$\pm 20\%$	0.0036	23.00	0.815 / 20.70	0.415 / 10.54	0.755 / 19.18	0.300 / 7.62	0.250 / 6.35	0.062 / 1.57

HORIZONTAL VERSION

FALCO PART NUMBER	RoHS PART NUMBER	OCL(μ H) ¹	TOL	DCR (W max)	I rating ² (Amp)	A max. in / mm	B max. in / mm	C max. in / mm	D Ref. in / mm	Pin Length in / mm	Hole Dia. in / mm
	*T60038	2.300	$\pm 10\%$	0.0020	22.00	0.787 / 20.00	0.374 / 9.50	0.787 / 20.00	0.354 / 9.00	0.126 / 3.20	0.092 / 2.34

* Part is bifillar wound



RoHS COMPLIANT PRODUCT

1. Inductance tested at 10 KHz 0.25 V.
2. Temperature rise is 40°C Typ.
3. Operating Temp. range -40° to +105°C.

Inductance vs Current

